

# Kennedy Iron Swing Check Valves UL/FM

*Underwriters' / Factory Mutual  
Underwriters' Canada*

Kennedy Swing Check Valves are for use where backflow is to be prevented. The disc is designed with ample tolerances to compensate for seat ring wear. The spinning action of the disc creates a regrinding effect that cleans the seat ring of foreign particles. The disc is also self-adjusting. All moving parts of these valves are bronze to bronze, minimizing wear and corrosion problems.

These valves are listed by Underwriters' Laboratories and approved by Factory Mutual Fire Research Corp. and have body markings "UL" and "◀ FM ▶" signifying the listing and approval.

## **Working Pressure:**

Cold Water, Non-Shock, 175 Lbs. (2½"-12")

## **Hydrostatic Test Pressure:**

Seat and shell, 350 PSI. (2½"-12")

## **Construction:**

- Bronze Mounted with Bronze Disc or Resilient Disc



**FIG. 126A  
RUBBER DISC  
FLANGED ENDS  
SIZE: 2½" THRU 12"**



**FIG. 126  
BRONZE DISC  
FLANGED ENDS  
SIZE: 2½" THRU 12"**

# Iron Swing Check Valves

Underwriters'/Factory Mutual/ULC  
APPROVED BY N.Y.C. BOARD OF STDS.

- Bronze Mounted with
- Rubber Faced Disc or
- Bronze Faced Disc
- 2½" through 12"

**Working Pressures:**  
2½"-12" Cold Water, Non-Shock, 175 lbs.

**Approvals:**  
UL/FM/ULC - 2½"-12" Fig. 126 and 126A

**HYDROSTATIC TEST PRESSURE:** 2½"-12" Seat and Shell - 350 PSI.

Fig. 126 Bronze Disc Assembly Sizes 2½" and 3"

Part No.	Description	Material	A.S.T.M. Spec.
1	Cap Bolts	Steel	A-307 Grade B
2	Cap	Cast Iron	A-126 Class B
3	Gasket	Composition	
4	Hex Nuts	Steel	A563
5	Body	Cast Iron	A-126 Class B
6	Hinge Pin	Stainless Steel	A 276 (304)
7	Hinge Bushings	Sint. Bronze	*
8	Hinge	Mang. Bronze	B584 Alloy C864
10	Disc Nut	Bronze Rod	B-16
11	Disc	Bronze	B-62
12	Seal Ring	Bronze	B-62
13	Drain Plug	Cast Iron	A-126 Class B

\*Cannot be ordered separately, only with hinge.

Fig. 126 Bronze Faced Disc Assembly Sizes 4" through 14"

Part No.	Description	Material	A.S.T.M. Spec.
14	"O" Rings	Buna "N"	
15	Disc Bolt	Bronze Rod	B-16
17	Hinge	Malleable Iron	A-47
18	Disc	Malleable Iron	A-47
19	Disc Ring	Bronze	B-62*

\*Cannot be ordered separately.

Fig. 126A Rubber Faced Disc Are Same Construction As Fig. 125A, Sizes 2½"-3" (See Discontinued Products)

Fig. 126A Rubber Faced Disc Sizes 4"-12"

Part No.	Description	Material	A.S.T.M. Spec.
20	Disc Holder	Malleable Iron	A-47
21	Disc	Rubber	
22	Disc Plate	Bronze	B-62
23	Disc Bolt	Bronze Rod	B-16
24	Disc Nut	Bronze Rod	B-16
25	"O" Rings	Buna "N"	
27	Disc Bolt Bushing	Sint. Bronze	*
28	Side Plugs	Bronze Rod	B-16

\*Cannot be ordered separately, only with hinge.

SIZE	A	B	C	D	E	F	G
2½"	10	7½	7	8½	7	1½	½
3"	10½	8	7½	9½	7½	1½	½
4"	13	10½	9	11½	9	2	¾
5"	15	12	10	13½	10	2½	¾
6"	16	13	11	14½	11	3	¾
8"	19	16	13½	17½	13½	4	¾
10"	22	19	16	20½	16½	5	¾
12"	26	23	19	24½	19	6	¾

## WEIGHT - POUNDS

SIZE	2½"	3"	4"	5"	6"	8"	10"	12"
FIG. 126	52	62	114	145	192	318	475	650
FIG. 126A	53	62	117	145	196	322	480	655



FIG. 126 - FIG. 126A  
Flanged Ends

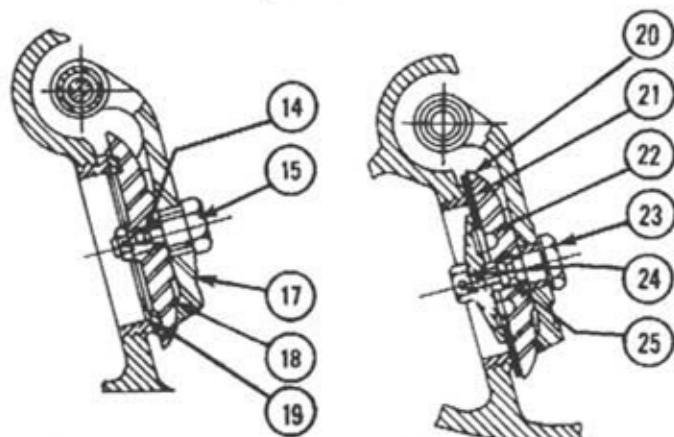
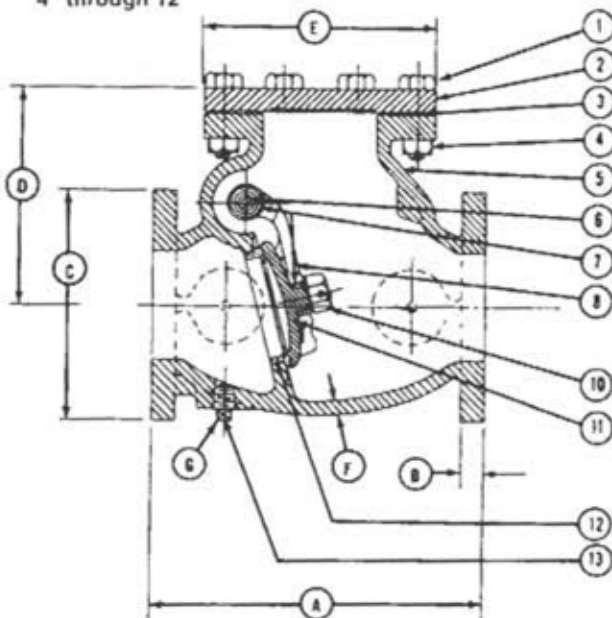


FIG. 126  
Bronze Faced Disc  
4" through 12"

FIG. 126A  
Rubber Faced Disc



BODY MARKING  
UL ◀ FM ▶  
KENNEDY  
SIZE - 175

OPPOSITE SIDE  
YEAR  
FIG. 126 OR 126A

END FLANGE DRILLING  
125 LB. AMERICAN STANDARD  
G = SIZE OF BODY DRAIN PLUG