



**Valve Standard:**  
Conforms to AWWA C508  
Clear Waterway

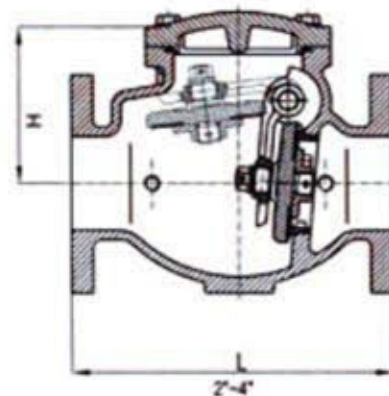
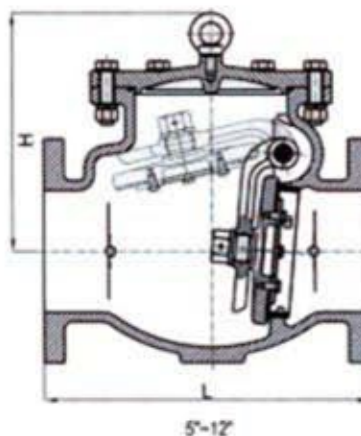
**Working pressure:**  
21 BARS/300PSI  
(when ordered with PN25  
flanges).

Fusion Bonded Epoxy  
Coated Exterior RAL3002

**Flanged Ends:**  
ANSI B16.1  
Class125/150/250  
EN1092-2 PN10/PN16/PN25  
BS10 Table E  
Flanged Ends Available

### Material Lists:

Name	Material	ASTM Spec.
Seat Ring	Bronze	ASTM B62
Plug Washer	PTFE	Commercial
Hinge Pin	Stainless Steel	AISI 304
Retainer Washer	Bronze	ASTM B62
Disc	Ductile Iron	A536 65-45-12
Seat Ring	Bronze	ASTM B62
Plug Washer	PTFE	Commercial
Hinge Pin	Stainless Steel	AISI 304
Retainer Washer	Bronze	ASTM B62
Disc	Ductile Iron	A536 65-45-12



### General Dimensions (in/mm):

Size	2"/50	2 1/2"/65	3"/80	4"/100	5"/125	6"/150	8"/200	10"/250	12"/300
L	8.00/203	10.00/254	11.00/279	13.00/330	14.00/356	16.00/406	19.5/495	22.00/559	26.00/660
H	4.80/122	5.23/133	5.23/136.5	6.40/162.5	11.65/296	11.75/298.5	14.06/357	16.14/410	18.31/465