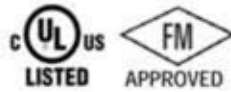


# Gate Valve



## Valve Standard

Conforms to AWWA C515/BS5163

## Working Pressure

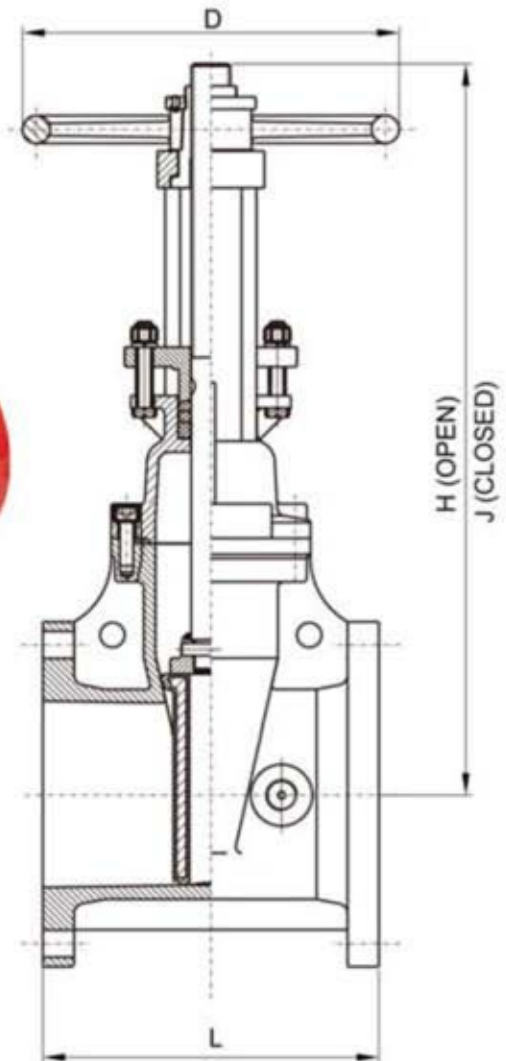
300 psi (21 bar)

## Max Working Temperature

230°F (110°C)

## Flanged Ends

ANSI B16.1 Class 125



## Materials List

Part Name	Material	Specification
Body	Ductile Iron	A536 65-45-12
Wedge	Ductile Iron EPDM Coated	
Wedge Nut	Stainless Steel	AISI304
Stem	Stainless Steel	AISI304/302
Bonnet	Ductile Iron	A536 65-45-12
Gasket	EPDM	Commercial
Packing	Graphite	Non-asbestos
Stem Nut	Bronze	ASTM B62
Handwheel	Ductile Iron	A536 65-45-12

## Dimensions: Inch (mm)

Size	2 ½ (65)	3 (80)	4 (100)	5 (125)	6 (150)	8 (200)	10 (250)	12 (300)
L	7.5 (191)	8.0 (203)	9.0 (229)	10.0 (254)	10.5 (267)	11.5 (292)	13.0 (330)	14.0 (356)
H	16.46 (418)	19.21 (488)	21.18 (538)	25.75 (654)	29.13 (740)	36.81 (935)	44.33 (1126)	51.81 (1316)
J	13.8 (350.5)	15.96 (405.5)	17.17 (436)	20.79 (528)	23.27 (591)	28.74 (730)	34.29 (871)	39.8 (1011)
D	7.2 (183)	9.96 (253)	9.96 (253)	12.05 (306)	12.05 (306)	13.98 (355)	17.52 (445)	17.52 (445)

## Weight: lbs (kg)

Size	2 (50)	2 ½ (65)	3 (80)	4 (100)	5 (125)	6 (150)	8 (200)	10 (250)	12 (300)
W	41.89 (19)	46.3 (21)	61.73 (28)	81.57 (37)	110.23 (50)	127.87 (58)	216.05 (98)	295.42 (134)	418.88 (190)