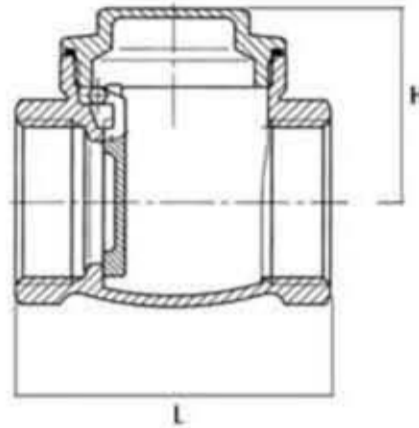




Swing Check Valves Data Sheet

Screwed BSPP
Rubber Seat



Pressure/Temperature Ratings

Max Pressure	$\frac{3}{8}$ " to 3" 16 Bar
	4" 10 Bar
Pressure to Open	0.05 Bar
Temperature	-10°C to 100°C

Material List

Body	Brass
Cap	Brass
Flap	Brass
Gasket	NBR

Dimensions

DN	Size	L	H	Kg
10	$\frac{3}{8}$ "	47	30	0.17
15	$\frac{1}{2}$ "	47	31	0.15
20	$\frac{3}{4}$ "	54	34	0.21
25	1"	64	40	0.33
32	1 $\frac{1}{4}$ "	76	46	0.49
40	1 $\frac{1}{2}$ "	83	52	0.65
50	2"	98	57	1
65	2 $\frac{1}{2}$ "	116	64	1.56
80	3"	135	77	2.24
100	4"	164	91	3.8