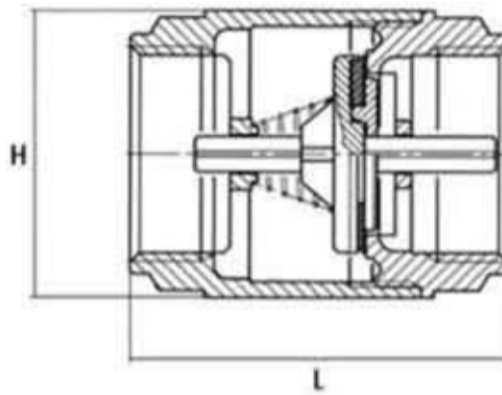




Spring Loaded Check Valves Data Sheet

Screwed BSPP
NBR Gasket
Acetal Disc



Pressure/Temperature Ratings		
Pressure	¼" to 1"	16 Bar
	1¼" to 2"	10 Bar
	2½" to 4"	8 Bar
Pressure to Open	0.02 Bar	
Temperature	-10°C to 110°C	

Material List	
Body	Brass UNI 12165 CW617N
Seat	NBR
Spring	AISI 302

Dimensions				
DN	Size	L	H	Kg
8	¼"	45	26	0.1
10	⅜"	45	28	0.14
15	½"	48	30	0.13
20	¾"	53	37	0.19
25	1"	59	44	0.24
32	1¼"	66	56	0.35
40	1½"	71	67	0.53
50	2"	80	78	0.75
65	2½"	93	103	1.69
80	3"	104	111	1.98
100	4"	119	140	3.69