

Reliable®

Model XL Quick Response Commercial Sprinklers

Model XL Commercial Pendant (SIN R4514)

Model XL Commercial Horizontal Sidewall (SIN R4534)

Features

1. Quick response performance.
2. Temperature rating : 165°F (75°C).
3. Commercial applications:
Light and Ordinary hazard (Per NFPA 13).
4. Standard finishes: Silver sprinkler with bright or dull chrome escutcheon, white sprinkler with white escutcheon.

Listings & Approvals

1. Listed by Underwriters Laboratories, Inc.
Certified for Canada (cULus)
2. Loss Prevention Certification Board (LPCB, UK)

UL Guide Number

VNIV

UL Listing Category

Sprinklers, Automatic & Open
Quick Response Sprinklers

U.S. Patent Number 6,554,077

Product Description

The Model XL Commercial is a quick response sprinkler. It is a fusible solder link type automatic sprinkler designed for standard coverage applications. These sprinklers have demonstrated response time in laboratory tests which is five to ten times faster than standard response sprinklers.

The quick response feature enables the Model XL Commercial Sprinklers to apply water to a fire much faster than standard response sprinklers of the same temperature rating.

Modern architectural designs require sprinklers that provide not only the best fire protection, but also an attractive appearance. The Model XL Commercial meets both criteria. The flush style of this sprinkler provides for an aesthetically pleasing installation by concealing the entire sprinkler operating parts with the exception of the heat sensing link. Only when the solder of the sensing link melts does the operating mechanism release, allowing the deflector to be extended for distributing the discharging water. The Model XL Commercial has been designed for use in facilities such as office buildings, hospitals, and schools.



Model XL Commercial Pendant Sprinkler



Model XL Commercial
Horizontal Sidewall Sprinkler

Application and Installation

All Model XL Commercial sprinklers are UL Listed for use with the following types of fire protection systems: wet, dry, or preaction. Care must be exercised that orifice size, temperature rating, and sprinkler spacing are in accordance with this bulletin and the latest published standards of the National Fire Protection Association or the approving Authority Having Jurisdiction. Quick response sprinklers are intended for standard area coverage and standard water densities as specified in NFPA 13. Quick response sprinklers and standard response sprinklers should not be intermixed.

These sprinklers must be installed with a Reliable Model ZX or ZX-HSW Sprinkler Wrench. Any other type of wrench may damage the sprinkler which is designed to allow wrenching with the shipping cap installed, thereby providing further protection to the sprinkler. Shipping caps should be removed only after walls are

finished and when escutcheons are being installed. Each installed sprinkler must include an escutcheon, and only the escutcheons shown in this bulletin shall be used with the Model XL Commercial sprinkler. The use of any other escutcheon will void all approvals and negate all warranties.

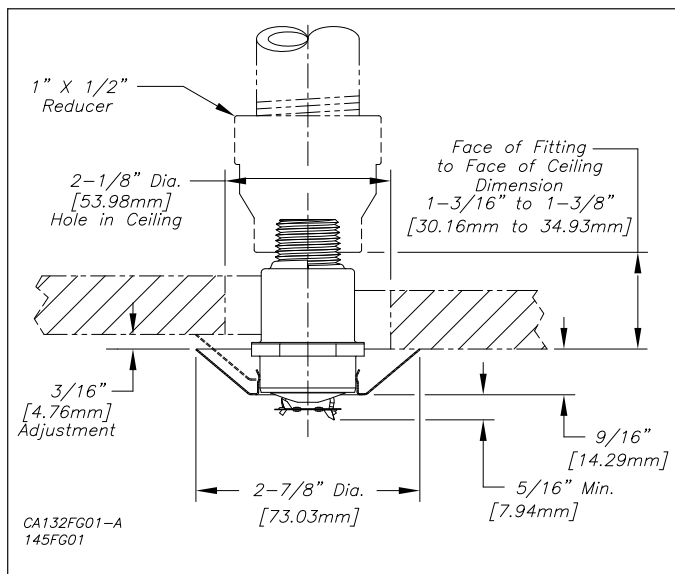
Use care to avoid damaging the sprinklers before, during and after installation. Install them according to Caution Sheet CA-310, and inspect all installed sprinklers to insure that they have not been damaged. Replace all sprinklers which have any sign of damage.

Model XL Commercial Sprinklers Temperature Data:

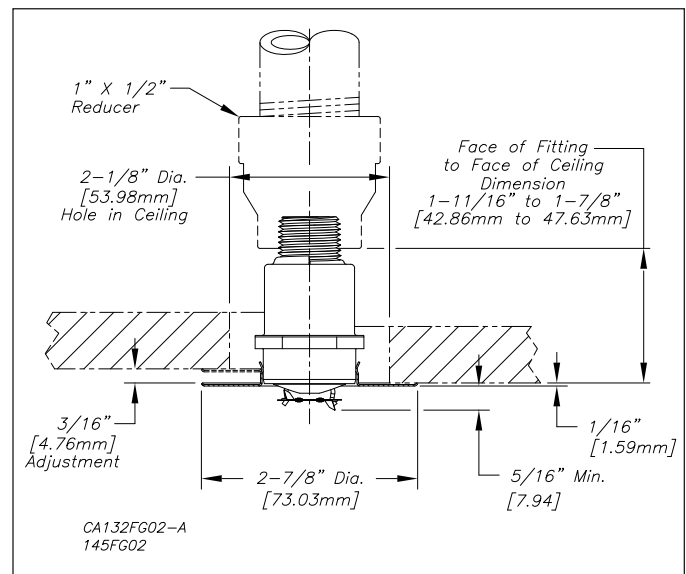
Temperature Rating	Sprinkler Rating		Maximum Ceiling Temp.	
	°F	°C	°F	°C
Ordinary	165	74	100	38

Installation Data:

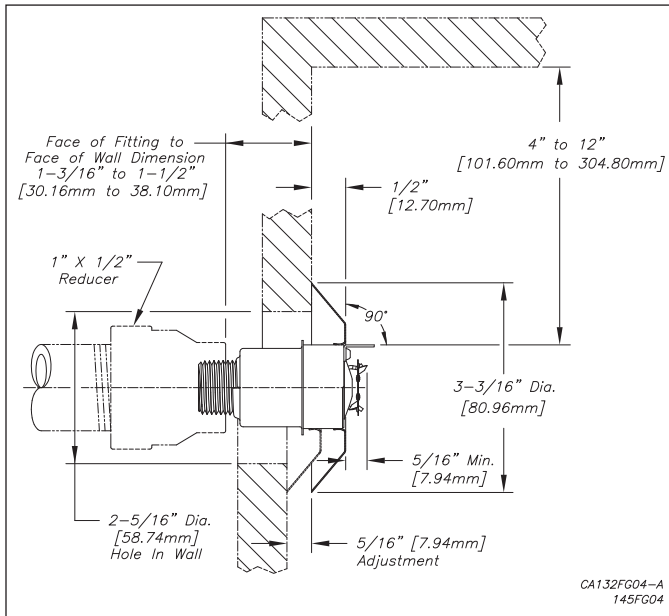
Sprinkler Type Quick Response, 1/2" NPT Thread	K Factor		Deflector to Ceiling Distance Min. to Max. in. (mm)	Sprinkler Height	Sprinkler Identification Number (SIN)
	US	Metric			
Pendent Commercial	5.6	80	-----	2 9/16"	R4514
HSW Commercial	5.6	80	4 to 12 (100 to 300)	2 9/16"	R4534



Model XL Commercial, QR,
Conical Escutcheon, Pendent Sprinkler



Model XL Commercial, QR,
Flat Escutcheon, Pendent Sprinkler



Model XL Commercial, QR,
Conical Escutcheon, Sidewall Sprinkler

Finishes:

Finishes ⁽¹⁾	
Sprinkler ⁽²⁾	Escutcheon
Silver Painted	Bright Chrome Plated
	Dull Chrome Plated
White Painted	White Painted

¹⁾ Other finishes and colors available on special order. Consult factory for details.

⁽²⁾ Sprinkler frame will be bright chrome. Fusible link will be painted silver.

Installation Wrench

- Pendent Sprinkler - Model ZX Wrench
- Horizontal Sidewall Sprinkler - Model ZX-HSW Wrench

Sprinkler Markings

- **On XL Commercial Pendent Sprinkler body:**
RASCO XL QR K= 5.6 R4514 Pendent
- **On XL Commercial HSW Sprinkler deflector:**
RASCO XL QR K= 5.6 R4534 HSW

Maintenance

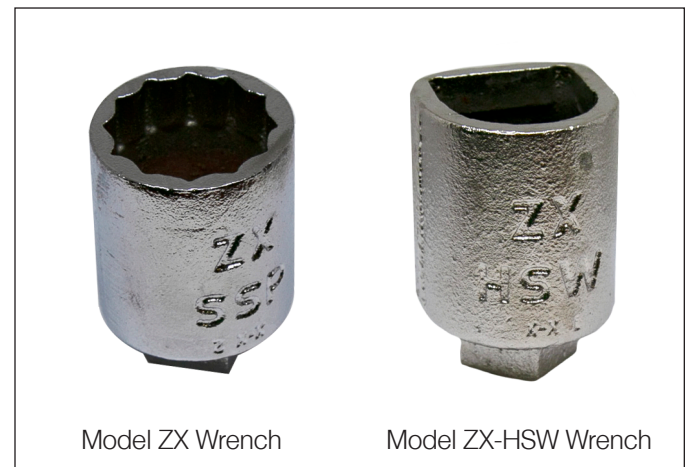
Model XL Commercial Sprinklers should be inspected and the sprinkler system maintained in accordance with NFPA 25. Do not clean the sprinklers with soap and water, ammonia or other cleaning fluids. Remove any sprinkler which has been painted (other than factory applied) or damaged in any way. A stock of spare sprinklers must be maintained to allow quick replacement of damaged or operated sprinklers, in accordance with NFPA requirements.

Ordering information

Specify:

- Model XL Commercial [Pendent] [Horizontal Sidewall]
- Escutcheon Type [Flat*] [Conical]
- Finish [Silver Sprinkler, Bright Chrome Escutcheon] [Silver Sprinkler, Dull Chrome Escutcheon] [White Sprinkler, White Escutcheon]

*Note: Not available for horizontal sidewall version.



The equipment presented in this bulletin is to be installed in accordance with the latest published Standards of the National Fire Protection Association, Factory Mutual Research Corporation, or other similar organizations and also with the provisions of governmental codes or ordinances whenever applicable.

Products manufactured and distributed by Reliable have been protecting life and property for over 90 years.

Manufactured by



The Reliable Automatic Sprinkler Co., Inc.

(800) 431-1588 Sales Offices
 (800) 848-6051 Sales Fax
 (914) 829-2042 Corporate Offices
 www.reliablesprinkler.com Internet Address



Revision lines indicate updated or new data.