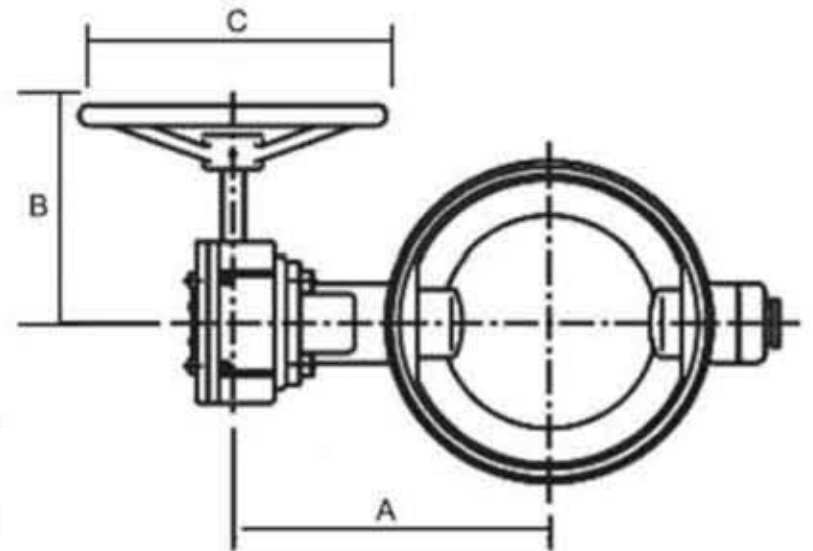
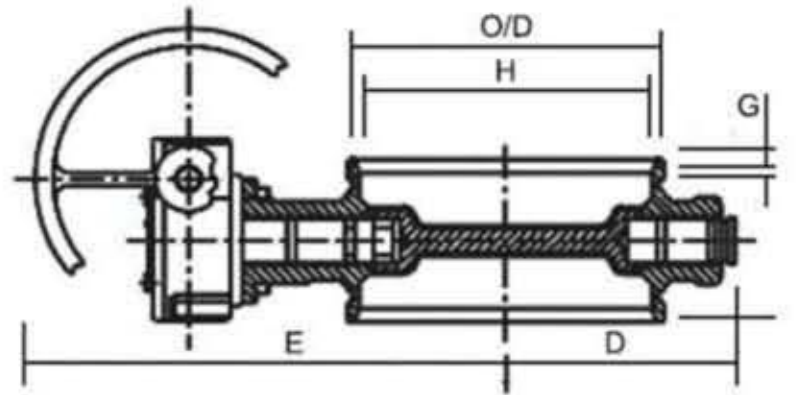




British Standard Grooved End Butterfly Valve Data Sheet

- Gearbox Operated, w/c handwheel
- Size available 100mm and 150mm
- Standard Grooved x Grooved pattern
- Switch included
- Visual Open/Shut Indicator
- Maximum Working Pressure 16 bar
- Maximum Working Temperature 85°C
- Maximum Intermittent Temperature 120°C



COMPONENTS

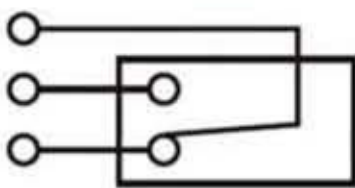
Name	Material
Body	Ductile Iron
Disc	EPDM Coated Ductile Iron
Shaft	416 Stainless Steel

WIRING DIAGRAM

Red=Common

Yellow=Normally Open

Green=Normally Closed



Switch
Operates in 2
turns from
open

DIMENSIONS (mm)

Size	Part No	A	B	C	D	E	F	G	H	Pipe OD
50mm/2"	BUT119GR050GEAR	135	192.5	152	81	169	82	8.31	57.4	60.3
65mm/2.5"	BUT119GR065GEAR	139.2	192.5	152	86	178	97	8.31	68.5	76.1
80mm/3"	BUT119GR080GEAR	145.4	192.5	152	99	183.5	97	8.31	84.5	88.9
100mm/4"	BUT119GR100GEAR	164.6	192.5	152	115	202.6	116	9.91	109.5	114.3
150mm/6"	BUT119GR150GEAR	190	192.5	152	144	228.5	148	9.91	163.4	165.1
200mm/8"	BUT119GR200GEAR	231	323.5	305	182	271	134	11.51	213.8	219.1
250mm/10"	BUT119GR250GEAR	314	175.0	305	230	N/A	160	N/A	N/A	273.0
300mm/12"	BUT119GR300GEAR	339	175.0	305	260	N/A	166	N/A	N/A	323.9