

British Standard Gate Valve

Complies with BS5163 Type A

Flange Types: EN1092-2 PN10 / PN16

BS10 Table D/E

Operation via hand wheel

Working Pressure: PN20

Working Temperature: -10°C to 120°C

Complete with 1/2" tap hole on 3"/80mm and above

Tamper Switch fitted as standard on sizes 3" - 12"



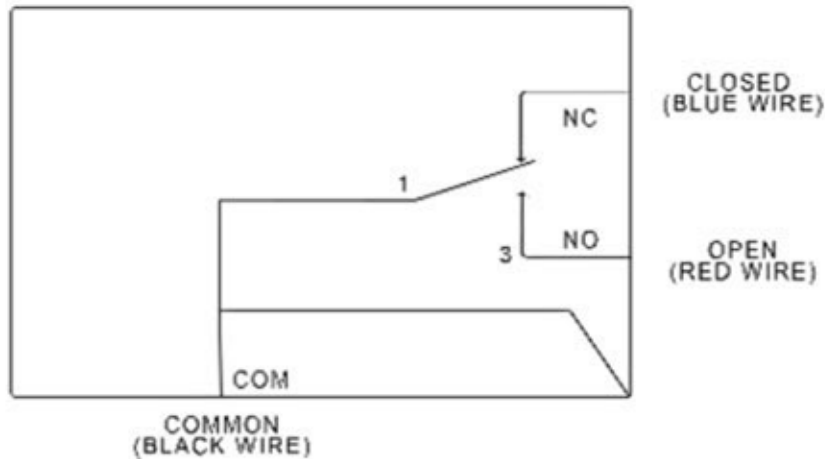
Material List

| No. | Part Name | Material |
|-----|------------|-----------------|
| 1 | Body | Ductile Iron |
| 2 | Wedge Disc | EPDM |
| 3 | Stem Nut | Brass |
| 4 | Stem | SS420 |
| 5 | O Ring | EPDM |
| 6 | Bonnet | Ductile Iron |
| 7 | O Ring | EPDM |
| 8 | Gland | Ductile Iron |
| 9 | Fire Alarm | Stainless Steel |
| 10 | Handwheel | Ductile Iron |

Dimensions (mm)

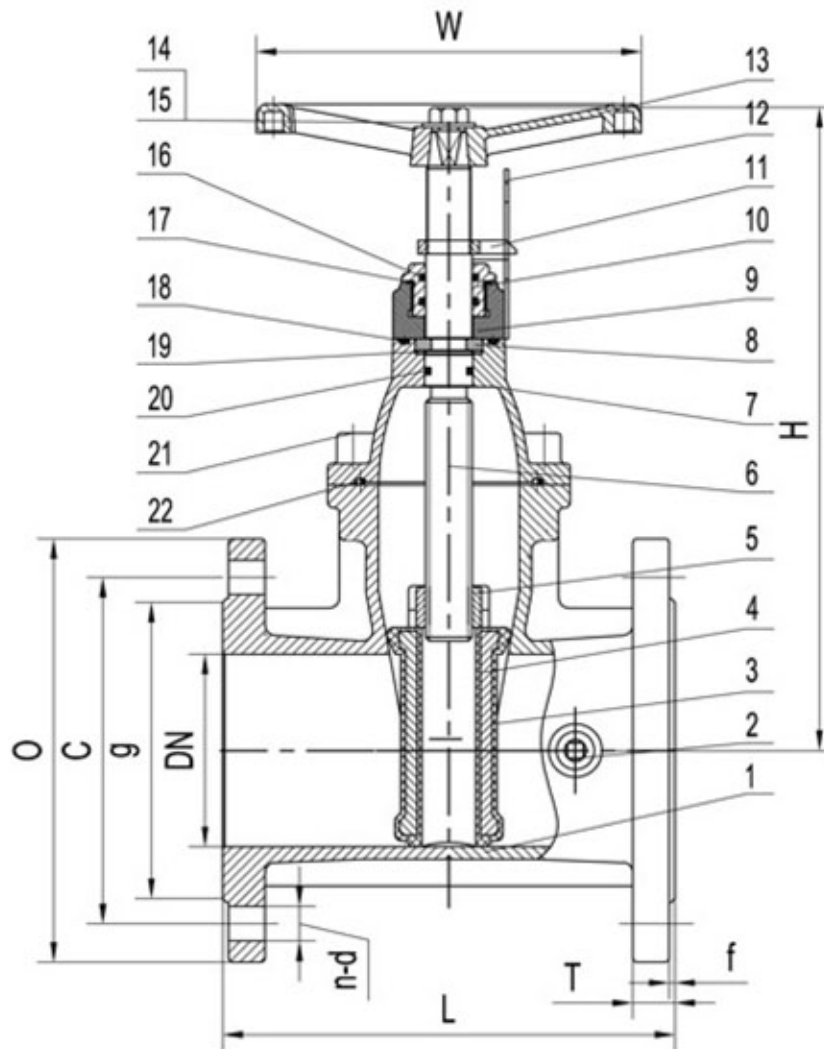
| Size | 50 | 65 | 80 | 100 | 125 | 150 | 200 | 250 | 300 |
|------|-----|-----|-----|-----|-----|-----|-----|-----|-----|
| L | 178 | 190 | 203 | 229 | 254 | 267 | 292 | 330 | 356 |
| H | 280 | 315 | 350 | 380 | 440 | 515 | 610 | 755 | 810 |
| D | 160 | 160 | 200 | 200 | 260 | 260 | 320 | 400 | 400 |
| Kg | - | 23 | 28 | 50 | 61 | 92 | 130 | 208 | 290 |

Electrical Drawing Of Tamper Switch



Product Information:

| Description | Size | Part Number |
|---|-------------|-------------|
| Non Rising Stem Gate Valve Resilient Seat | 50mm / 2" | 7U99001766 |
| Non Rising Stem Gate Valve Resilient Seat | 65mm / 2½" | 7U99001767 |
| Non Rising Stem Gate Valve Resilient Seat with switch | 80mm / 3" | 7V00000083 |
| Non Rising Stem Gate Valve Resilient Seat with switch | 100mm / 4" | 7V00000084 |
| Non Rising Stem Gate Valve Resilient Seat with switch | 150mm / 6" | 7V00000086 |
| Non Rising Stem Gate Valve Resilient Seat with switch | 200mm / 8" | 7V00000087 |
| Non Rising Stem Gate Valve Resilient Seat with switch | 250mm / 10" | 7V00000088 |
| Non Rising Stem Gate Valve Resilient Seat with switch | 300mm / 12" | 7V00000089 |



DESCRIPTION

- 1.Design and Manufacture Conform to BS 5163
- 2.Flange dimensions Conform to EN 1092-2 PN16
- 3.Face to Face dimensions Conform to BS 5163
- 4.Testing Conform to EN12266-1, Rate A

| No. | Name | Material |
|-----|---------------|------------|
| 1 | Body | GGG50 |
| 2 | Plug | Brass |
| 3 | Wedge | EPDM |
| 4 | Skeleton | GGG50 |
| 5 | Spindle nut | Cu38Mn2Pb2 |
| 6 | Stem | SS420 |
| 7 | Bonnet | GGG50 |
| 8 | Circlip | Cu38Mn2Pb2 |
| 9 | Gland | GGG50 |
| 10 | Seal bushings | EPDM |
| 11 | Indicator | SS304 |
| 12 | Plate | SS304 |
| 13 | Hand wheel | GGG50 |
| 14 | WASHER | SS304 |
| 15 | Screw | SS304 |
| 16 | Seal O-Ring | EPDM |
| 17 | Seal O-Ring | EPDM |
| 18 | Seal Ring | EPDM |
| 19 | Gasket | F-4 |
| 20 | Seal O-Ring | EPDM |
| 21 | Screw | A3 |
| 22 | Gasket | EPDM |

| DN | L | H | W | O | C | g | f | T | n-d |
|-----|-----|------|-----|------|-----|-----|---|------|-------|
| 350 | 381 | 762 | 450 | 520 | 470 | 429 | 4 | 26.5 | 16-28 |
| 400 | 406 | 836 | 450 | 580 | 525 | 480 | 4 | 28 | 16-31 |
| 450 | 432 | 957 | 640 | 640 | 585 | 548 | 4 | 30 | 20-31 |
| 500 | 457 | 1036 | 640 | 715 | 650 | 609 | 4 | 31.5 | 20-34 |
| 600 | 508 | 1188 | 640 | 840 | 770 | 720 | 5 | 36 | 20-37 |
| 700 | 610 | 1435 | 850 | 910 | 840 | 794 | 5 | 39.5 | 24-37 |
| 800 | 660 | 1620 | 850 | 1025 | 950 | 901 | 5 | 43 | 24-41 |

10/20/17

| | | | | | | | | |
|----------|------|----------|--------------|-------------------|---|--------------|-----------------------------------|--|
| | | | | RUBBER GATE VALVE | | | Shandong Hua'an Machinery Co.,Ltd | |
| DESIGN | WAN | STANDARD | DRAWING MARK | | | | | |
| AUDIT | | | A | | | BS 5163 PN16 | | |
| CHECK | MIKE | APPROVE | TOD | | | | | |
| TECHNICS | | DATE | | 1 | 1 | | | |