

Working Pressure & Temperature

Max Working Pressure: 300PSI / 21 Bar
 Working Temperature: -10°C to 120°C (14°F to 248°F)
 Fusion bonded epoxy coated interior and exterior RAL3002

Flanged Ends: ANSI B16.1 Class 150 - Raised
 EN1092-2 PN10/PN16 (PN10 up to 6") - Flat

Valve Standard: Conforms to AWWA C515 / BS5163

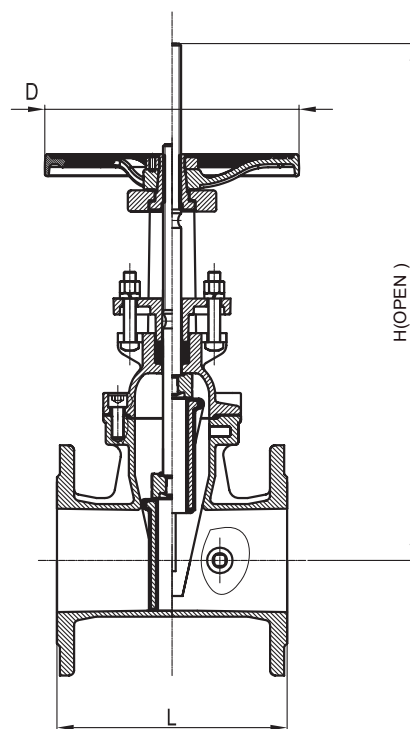


Material List

Component	Material
Body	Ductile Iron ASTM A536 65-45-12
Wedge	Ductile Iron ASTM A536 65-45-12 + EPDM
Wedge Nut	Stainless Steel AISI 304
Stem	Stainless Steel AISI 304/420
Bonnet	Ductile Iron ASTM A536 65-45-12
Gasket	EPDM
Packing	Graphite
Handwheel	Ductile Iron A536 65-45-12

Dimensions Inch (mm) and Weight lbs (kg)

DN	L	H	D	Weight
2 (50)	7.01 (178)	16.18 (411)	7.20 (183)	38.89 (17.64)
2 ½ (65)	7.52 (191)	16.18 (411)	7.20 (183)	41.69 (18.91)
3 (80)	8.00 (203)	18.19 (462)	9.96 (253)	48.79 (22.13)
4 (100)	9.00 (229)	20.24 (514)	9.96 (253)	59.88 (27.16)
5 (125)	10.00 (254)	24.76 (629)	12.05 (306)	89.51 (40.6)
6 (150)	10.50 (267)	27.91 (709)	12.05 (306)	103.40 (46.9)
8 (200)	11.50 (292)	36.18 (919)	13.98 (355)	158.73 (72)
10 (250)	13.00 (330)	43.94 (1116)	17.52 (445)	244.71 (111)
12 (300)	14.00 (356)	51.18 (1300)	17.52 (445)	368.17 (167)



Design and materials subject to change without notice.

Ordering Information

Description	Size (mm)	Part Number
RASCO, FXF, 300PSI, OSY, L399F (PN10/PN16)	50 (2")	7U99002330
RASCO, FXF, 300PSI, OSY, L399F (PN10/PN16)	65 (2 ½")	7U99002331
RASCO, FXF, 300PSI, OSY, L399F (PN10/PN16)	80 (3")	7U99002332
RASCO, FXF, 300PSI, OSY, L399F (PN10/PN16)	100 (4")	7U99002333
RASCO, FXF, 300PSI, OSY, L399F (PN10/PN16)	125 (5")	7U99002334
RASCO, FXF, 300PSI, OSY, L399F (PN10/PN16)	150 (6")	7U99002335
RASCO, FXF, 300PSI, OSY, L399F (PN16)	200 (8")	7U99002336
RASCO, FXF, 300PSI, OSY, L399F (PN16)	250 (10")	7U99002337
RASCO, FXF, 300PSI, OSY, L399F (PN16)	300 (12")	7U99002380

Description	Size (mm)	Part Number
RASCO, FXF, 300PSI, OSY, L399F (ANSI)	50 (2")	7U99002338
RASCO, FXF, 300PSI, OSY, L399F (ANSI)	65 (2 ½")	7U99002339
RASCO, FXF, 300PSI, OSY, L399F (ANSI)	80 (3")	7U99002340
RASCO, FXF, 300PSI, OSY, L399F (ANSI)	100 (4")	7U99002341
RASCO, FXF, 300PSI, OSY, L399F (ANSI)	150 (6")	7U99002342
RASCO, FXF, 300PSI, OSY, L399F (ANSI)	200 (8")	7U99002343
RASCO, FXF, 300PSI, OSY, L399F (ANSI)	250 (10")	7U99002344
RASCO, FXF, 300PSI, OSY, L399F (ANSI)	300 (12")	7U99002345

- Optional extra: **OSY2** switch

