



## Model XL Quick Response Commercial Sprinklers

cULus, LPCB, CE, UKCA

### Features

- Quick response performance
- Commercial applications
- Listed for light and ordinary hazards

### Product Description

The Model XL Commercial is a quick response sprinkler with a fusible solder link thermal element designed for standard coverage applications.

The flush style of this sprinkler conceals all operating parts with the exception of the heat sensing link. When the solder of the sensing link melts the operating mechanism releases and allows the deflector to be extended for distributing water. These sprinklers are listed for a maximum service pressure of 175 psi (12.0 bar).

### Installation

Care must be exercised that orifice size, temperature rating, and sprinkler spacing are in accordance with this bulletin and the latest published standards of the National Fire Protection Association, and approved by the Authority Having Jurisdiction.

Apply a PTFE-based thread sealant or thread sealant tape to the sprinkler threads. Using the Model ZX-Pendent or ZX-Sidewall Wrench (see figure 2), install the sprinkler into the fitting and verify the sprinkler is properly oriented.

Recommended installation torque is 8-14 lb-ft (11-19 N.m). Do not tighten sprinklers over the maximum recommended torque. Exceeding the maximum recommend torque may cause leakage or impairment of the sprinklers.

Shipping caps should be removed only after walls are finished and when escutcheons are being installed. Each installed sprinkler must include an escutcheon, and only the escutcheons shown in this bulletin shall be used with the Model XL Commercial sprinkler. The use of any other escutcheon will void all approvals and negate all warranties.



Model XL Commercial Pendent Sprinkler



Model XL Commercial Horizontal Sidewall Sprinkler

Use care to avoid damaging the sprinklers before, during and after installation. Inspect all installed sprinklers to insure that they have not been damaged. Replace all sprinklers which have any sign of damage.

### Model XL Commercial Pendent Sprinkler Summary

Table A

Sprinkler Model	Orientation	Listing or Approval	Max. Working Pressure psi (bar)	Sprinkler Identification Number (SIN)
XL Commercial	Pendent, Flush	cULus, LPCB, CE, UKCA	175 (12.0)	R4514
	Horizontal Sidewall, Flush			R4534

**Technical Specifications**

**Style:** Pendent  
**Threads:** 1/2" NPT or ISO7-1 R1/2  
**Nominal K-Factor:** 5.6 (80)  
**Max. Working Pressure:** 175 psi (12.0 bar)

**Material Specifications**

**Body:** CDA Alloy  
**Deflector:** Brass  
**Yoke:** DZR Brass  
**Lever Arms:** CDA Alloy  
**Operating Element:** Nickel Alloy  
**Sealing Washer:** Nickel Alloy, PTFE Coated  
**Can:** Plated Steel

**Sprinkler Finishes**

(See Table B)

**Sensitivity**

Quick Response

**Temperature Rating**

165°F (74°C)

**Escutcheons**

Flat  
 Conical

**Sprinkler Wrench**

ZX-Pendent Wrench

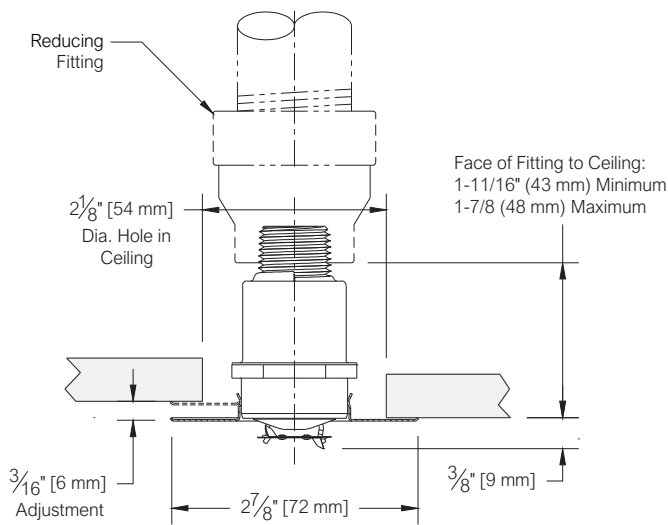
**Listings and Approvals**

cULus Listed  
 LPCB  
 CE (2831-CPR-S0074)  
 UKCA: 0832-UKCA-CPR-S5047

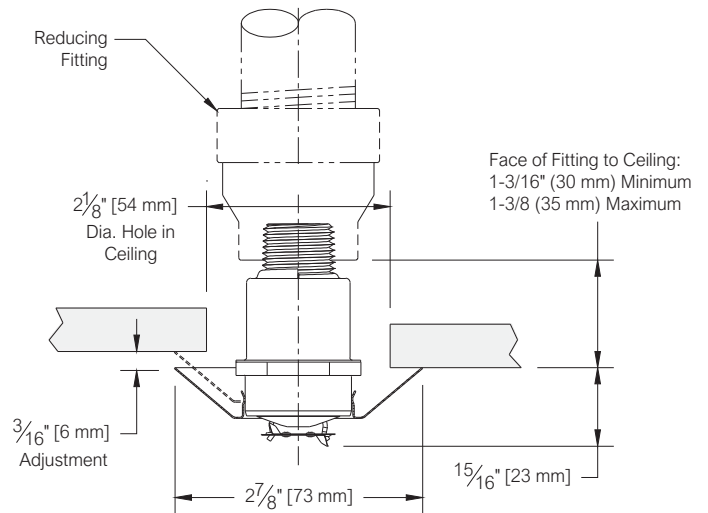


**Model XL Commercial Pendent Sprinkler Dimensions**

**Figure 1**



Model XL Commercial, QR,  
 Flat Escutcheon, Pendent Sprinkler



Model XL Commercial, QR,  
 Conical Escutcheon, Pendent Sprinkler

**Technical Specifications**

**Style:** Horizontal Sidewall  
**Threads:** 1/2" NPT or ISO7-1 R1/2  
**Nominal K-Factor:** 5.6 (80)  
**Max. Working Pressure:** 175 psi (12.0 bar)

**Material Specifications**

**Body:** CDA Alloy  
**Deflector:** Brass  
**Yoke:** DZR Brass  
**Lever Arms:** CDA Alloy  
**Operating Element:** Nickel Alloy  
**Sealing Washer:** Nickel Alloy, PTFE Coated  
**Can:** Plated Steel

**Sprinkler Finishes**

(See Table B)

**Sensitivity**

Quick Response

**Temperature Rating**

165°F (74°C)

**Sprinkler Wrench**

ZX-Horizontal Wrench

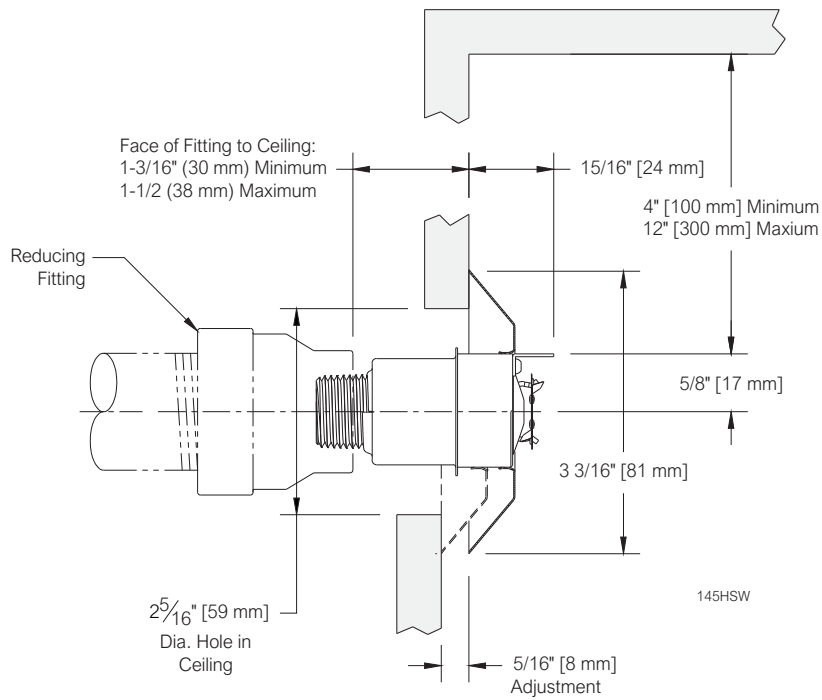
**Listings and Approvals**

cULus Listed  
 LPCB  
 CE (2831-CPR-S0074)  
 UKCA: 0832-UKCA-CPR-S5047



**Model XL Commercial HSW Sprinkler Dimensions**

**Figure 2**



MODEL XL COMMERCIAL HORIZONTAL SIDEWALL SPRINKLER  
 CONICAL ESCUTCHEON

**Finishes<sup>(1)</sup>****Table B**

Sprinkler <sup>(2)</sup>	Escutcheon
Chrome Bright	Chrome Bright
White Paint	Satin Chrome
Black Paint	White Paint
	Black Paint

**Notes:**

<sup>(1)</sup> Other finishes and colors available on special order. Consult factory for details.

<sup>(2)</sup> Body, levers, and deflector shelf (HSW) remain chrome plated. Fusible link painted light gray.

**Painted Sprinkler Example****Figure 3****Maintenance**

Reliable Model XL series sprinklers should be inspected and the sprinkler system maintained in accordance with NFPA 25, as well as the requirements of any Authorities Having Jurisdiction.

Prior to installation, sprinklers should remain in the original cartons and packaging until used. This will minimize the potential for damage to sprinklers that could cause improper operation or non-operation.

Do not clean sprinklers with soap and water, ammonia liquid or any other cleaning fluids. Remove dust by gentle vacuuming without touching the sprinkler.

Replace any sprinkler which has been painted (other than factory applied). A stock of spare sprinklers should be maintained to allow quick replacement of damaged or operated sprinklers.

Failure to properly maintain sprinklers may result in inadvertent operation or non-operation during a fire event.

**Wrenches****Figure 4****Guarantee**

For Reliable Automatic Sprinkler Co., Inc. guarantee, terms, and conditions, visit [www.reliablesprinkler.com](http://www.reliablesprinkler.com).

**Ordering Information****Specify:****Sprinkler**

- XL Commercial [Pendent] [Horizontal Sidewall]

**Escutcheon**

- Pendent [Flat] [Conical]
- Horizontal Sidewall

**Sprinkler Wrench**

- ZX [Pendent] [Horizontal]

**Finish**

- See Table B