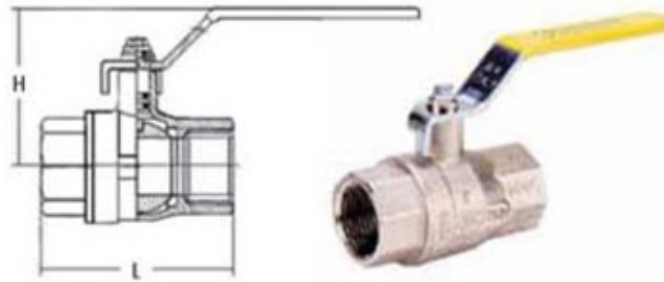


Nickel Plated Body, Screwed BSPP Female, Full Bore, Yellow PVC Coated Steel Lever



### Pressure/Temperature Ratings

Max Pressure	1/4" - 1/2" PN64
	3/4" - 2 1/2" PN40
	3" PN32
	4" PN25
Temperature Gas	-20°C to 70°C
Temperature Fluid	-20°C to 150°C

### Material List

Body	Brass Nickel Plated
Ball	Brass
Seats	PTFE
Stem	Brass
Stem Seal	Viton/NBR
Handle	PVC Coated Steel

### Dimensions

DN	Size	L	H	Kg
8	1/4"	48	48	0.13
10	3/8"	48	48	0.15
15	1/2"	59	55	0.25
20	3/4"	69	66	0.4
25	1"	83	70	0.6
32	1 1/4"	94	83	0.95
40	1 1/2"	102	93	1.24
50	2"	124	102	1.88
65	2 1/2"	148	143	3.35
80	3"	171	153	5.4
100	4"	206	187	8.84

10/20/17



bafsa

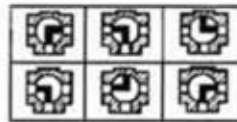
Atkinsons Way, Foxhills Industrial Estate, Scunthorpe, North Lincolnshire, DN15 8QJ  
 Fire Protection Centre Ltd. Registered in England No. 03798539. VAT No. 279 1182 80  
 Telephone - 01724 854199 Fax - 0800 65 200 31  
 Email - sales@fireprotectioncentre.com Website - www.fpcdatacentre.co.uk



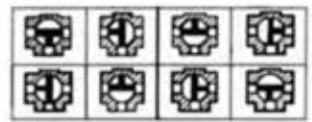
the  
**Fire Protection**  
centre

A Great Deal to Offer

Nickel Plated Body, Screwed BSPP Female,  
Reduced Bore, Lever Operated



L-Port  
Configuration



T-Port  
Configuration

### Pressure/Temperature Ratings

Pressure	1/4" - 3/8" 55 Bar
	1/2" - 3/4" 50 Bar
	1" 45 Bar
	1 1/4" - 2" 35 Bar
	2 1/2" 40 Bar
	3" 16 Bar
Temperature	1/4" - 2" -10°C to 120°C
Temperature	2 1/2" - 3" -15°C to 100°C

### Material List 1/4" - 2"

Body	Brass Nickel Plated
Ball	Brass Chrome Plated
Seats	PTFE
Stem	Brass
Stem O-Ring 1/4" - 2"	NBR
Stem O-Ring 2 1/2" - 3"	Viton
Handle	Aluminium

### Dimensions 1/4" - 2"

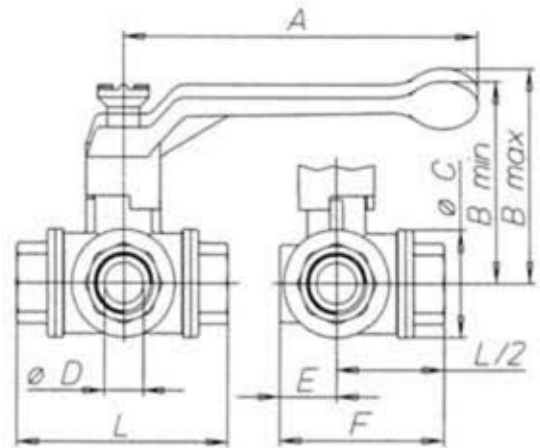
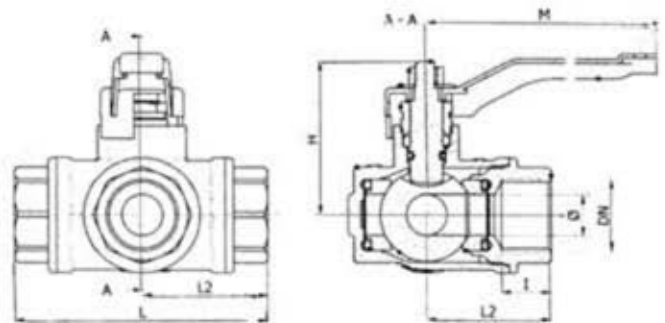
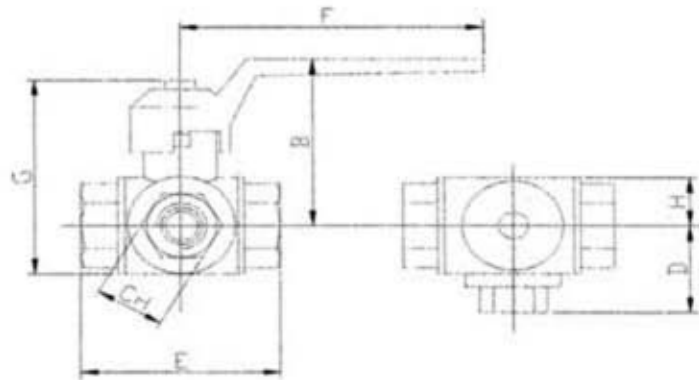
Size	B	D	E	F	G	H	CH	DN
1/4"	65	38.5	77	125	75	22	22	10
3/8"	65	38.5	77	125	75	22	22	12
1/2"	65	38.5	77	125	75	22	27	14
3/4"	83	46	92	145	91	25	34	18
1"	96	52	104	170	105	30	41	23
1 1/4"	102	59	118	170	115	34	50	29
1 1/2"	109	69	138	170	128	40	57	36
2"	139	81	162	260	165	48	70	45

### Dimensions 2 1/2"

DN	L	L2	Ø	I	H	M
2 1/2"	194	97	50	35	124	240

### Dimensions 3"

DN	Size	ØD	A	B min	B max	ØC	E	F	L
80	3"	44	235	129	141	95	47	148	202



10/20/17



bafsa

Atkinsons Way, Foxhills Industrial Estate, Scunthorpe, North Lincolnshire, DN15 8QJ  
Fire Protection Centre Ltd. Registered in England No. 03798539. VAT No. 279 1182 80  
Telephone - 01724 854199 Fax - 0800 65 200 31  
Email - sales@fireprotectioncentre.com Website - www.fpcdatacentre.co.uk