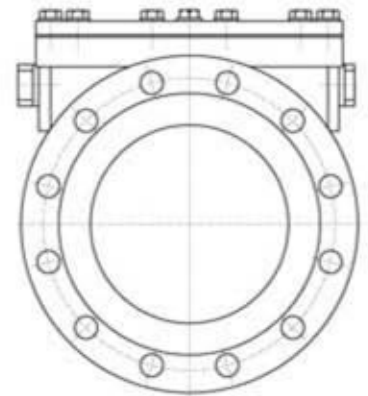
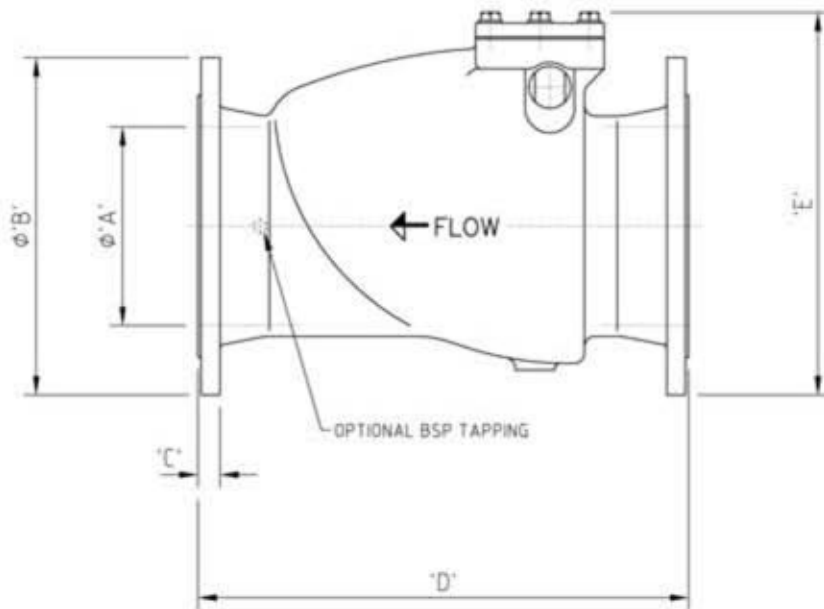




the  
**Fire Protection**  
centre

*A Great Deal to Offer*



OPTIONS AVAILABLE:

METAL SEATS

RESILIENT SEATS

METRIC/IMPERIAL FLANGE DRILLING

1/2" BSP TAPPING (PLASTIC TRANSIT PLUG FITTED)

VALVE DIMENSION TABLE

'A'	'B'	'C'	'D'	'E'
80	200	19	241	225
100	220	19	292	248
150	285	19	356	330
200	340	20	495	390
250	400	22	622	500
300	455	25	698	545

10/20/17



bafsa

Atkinsons Way, Foxhills Industrial Estate, Scunthorpe, North Lincolnshire, DN15 8QJ  
 Fire Protection Centre Ltd. Registered in England No. 03798539. VAT No. 279 1182 80  
 Telephone - 01724 854199 Fax - 0800 65 200 31  
 Email - sales@fireprotectioncentre.com Website - www.fpcdatacentre.co.uk