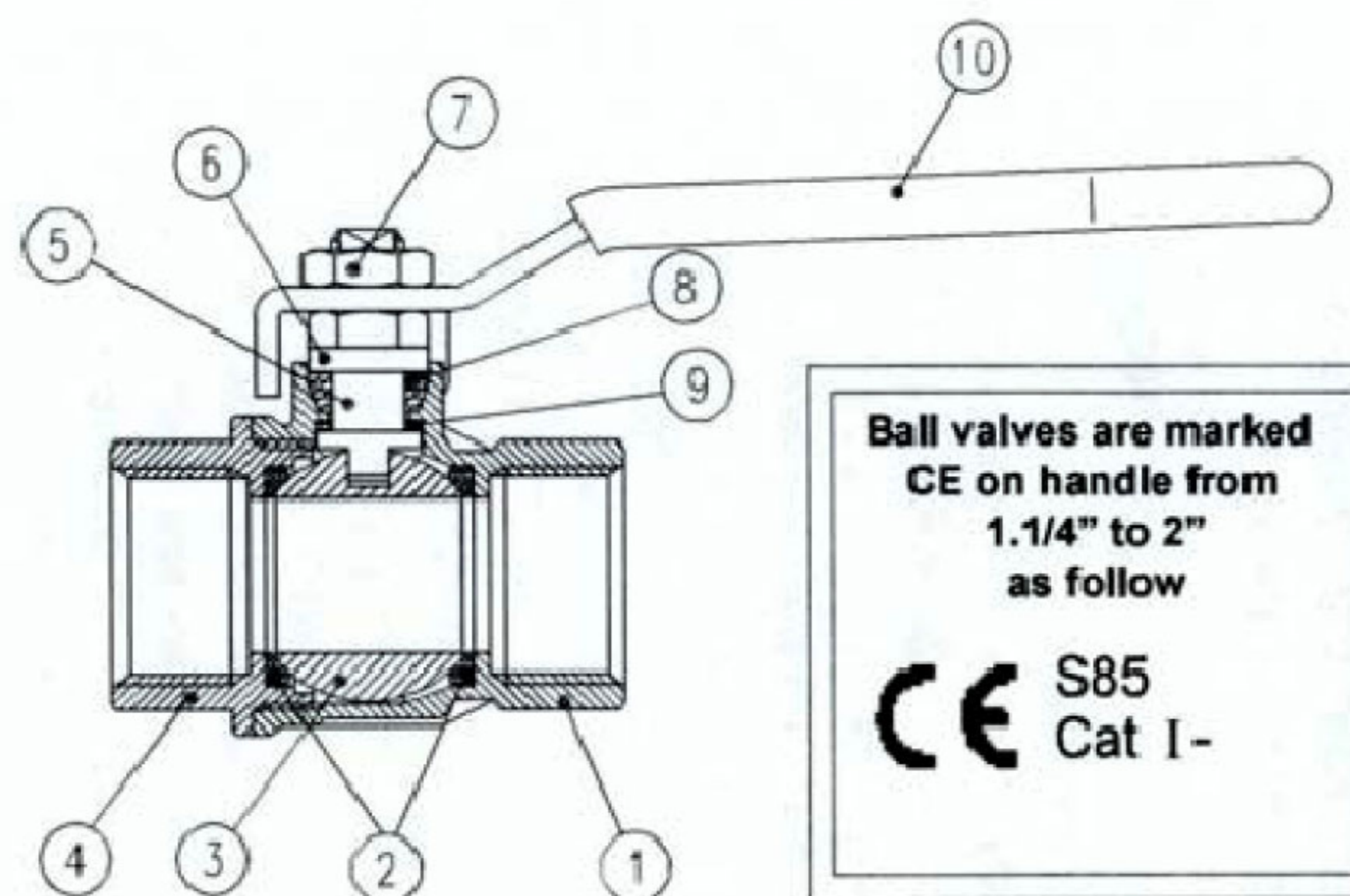


S85 BSPP Wras Approved Full Bore Brass Ball Valve 1/4" - 2"



Features and Specifications:

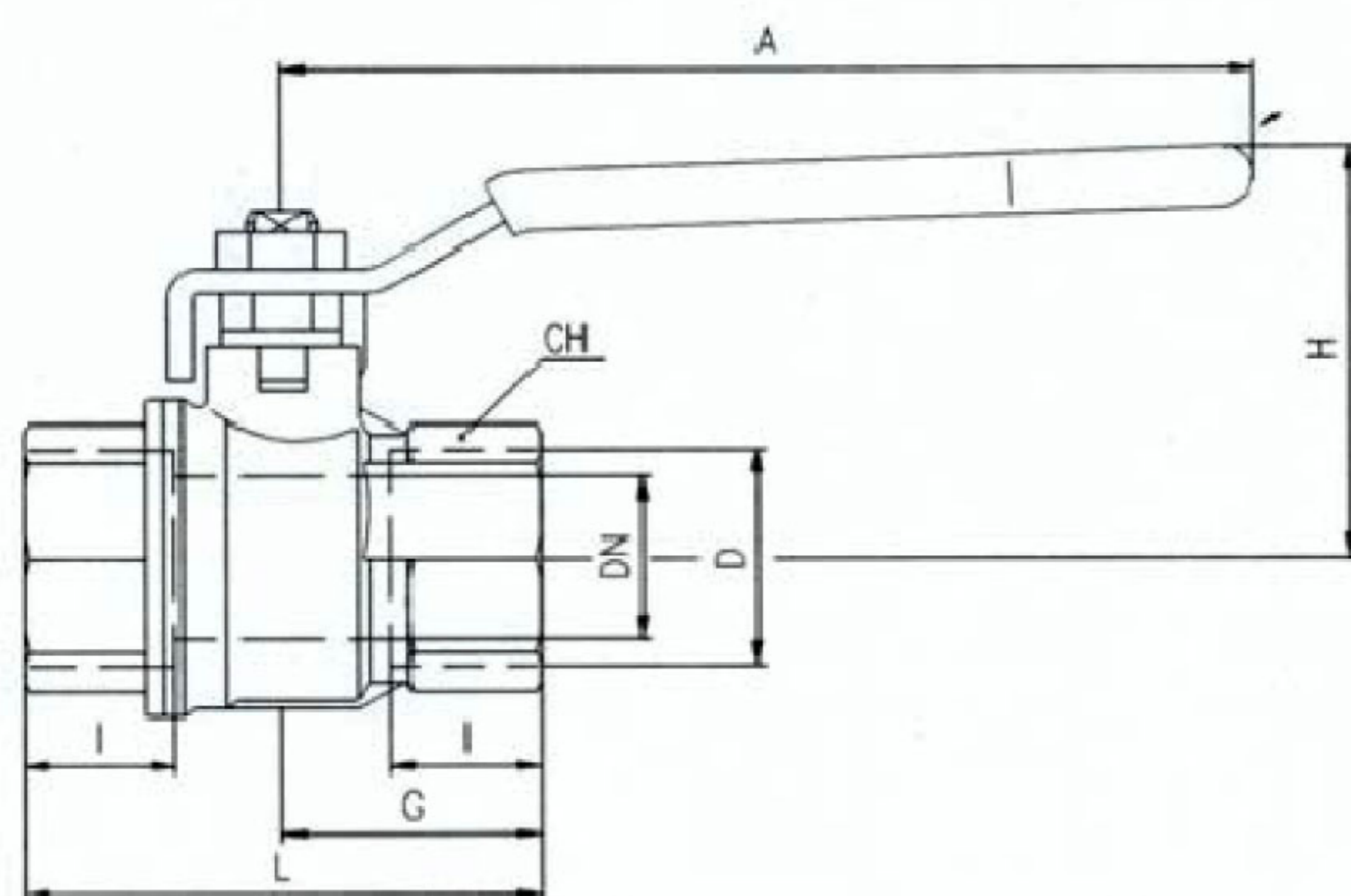
- * Approved by The Australian Gas Association (AUS), WRAS (UK).
- * **DIN 2999, ISO 228** parallel Female by Female threads,
- * **Silicone-free** lubricant on all seals,
- * 40 bar (Kg/cm²) non-shock cold water **pressure**,
- * **-40°C +170°C temperature** (Warning: freezing of the fluid in the installation may severely damage the valve).
- * **Full port** to DIN 3357 for maximum flow,
- * **Blowout-proof** nickel plated brass stem,
- * Pure PTFE **adjustable packing gland** and washer for lower torque and easy maintenance,



Ball valves are marked
CE on handle from
1.1/4" to 2"
as follow

CE S85
Cat I-

PART DESCRIPTION		Q.ty	Material
1	Nickel plated body	1	CW617N
2	Seat	2	Ptfe
3	Chrome plated ball	1	CW617N
4	Nickel plated end cap	1	CW617N
5	Nickel plated stem packing gland design	1	CW617N
6	Nickel plated gland nut	1	CW617N
7	Geomet® nut	1	CB4FF
8	Packing gland seal	1	Ptfe
9	Washer	1	Ptfe
10	Black Geomet® steel handle	1	DD11



Code	S85B01	S85C01	S85D01	S85E01	S85F01	S85G01	S85H01	S85I01
D (inch)	1/4	3/8	1/2	3/4	1	1 1/4	1 1/2	2
DN(mm)	8	10	15	20	25	32	40	50
I (mm)	12	12	15.5	17	21	23	23	26.5
L (mm)	45	45	59	64	81	93	102	121
G (mm)	22.5	22.5	29.5	32	40.5	46.5	51	60.5
A (mm)	82	82	100	120	120	158	158	158
H (mm)	39.5	39.5	43	50.5	54.5	76	82	89
CH(mm)	20	20	25	31	40	49	54	68.5