

Grooved check Valves, UL, ULC Listed / FM Approved Grooved End, Sizes : 2-1/2",3",4",6" and "8"

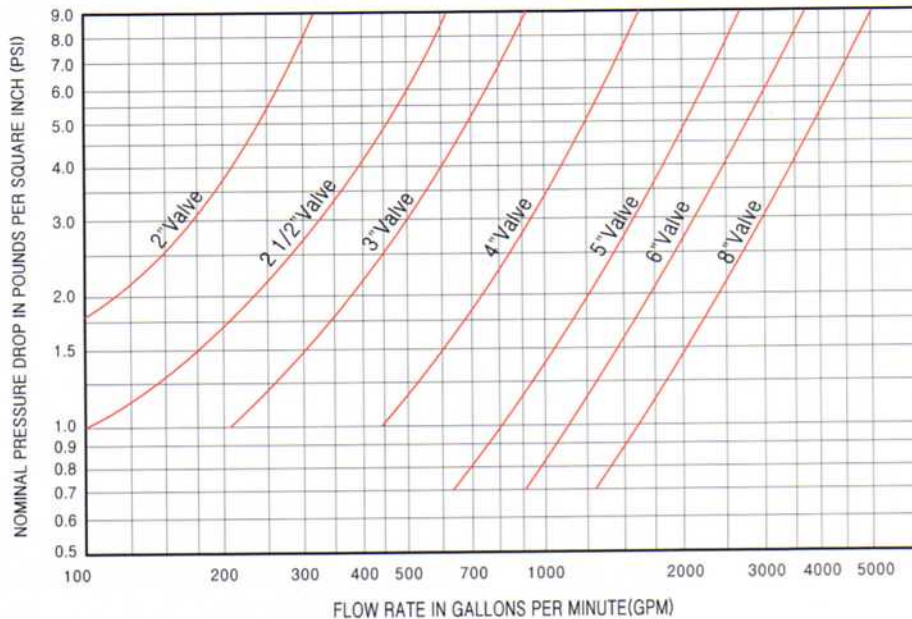


The Check Valve is a compact, cost effective valve offering low pressure-drop, non-slam performance. The Check Valve assembly is lighter and faster to install, and costs less than flanged and wafer valve assemblies. In the full-open position the swing clapper is held tightly against the valve body, out of the flow stream, to provide maximum flow area and prevention of clapper flutter. The clapper design produces quick, non-slam closure before flow reversal can occur, while meeting FM requirements for an anti-water hammer valve rating. Each valve is hydrostatically tested for leak tightness to 500 PSI. The clapper-seat design permits leak free sealing of back pressures in service conditions, ranging from 300 PSI to as low as 1 PSI(28" water head)

Flow Data - Friction Los (Ft. of Pipe)

Valve Size	Pipe OD	C=100			C=120		
		Sch. 10	Sch. 30	Sch. 40	Sch. 10	Sch. 30	Sch. 40
In./mm	In./mm	Ft./M	Ft./M	Ft./M	Ft./M	Ft./M	Ft./M
2 50	2.375 60.3	10 3.0	—	8 2.4	14 4.3	—	11 3.4
2½ 65	2.875 73.0	14 4.3	—	10 3.0	20 6.1	—	15 4.6
3 80	3.500 88.9	17 5.2	—	12 3.7	23 7.0	—	17 5.2
4 100	4.500 114.3	17 5.2	—	13 4.0	23 7.0	—	18 5.5
5 125	5.563 141.3	14 4.3	—	11 3.4	20 6.1	—	15 4.6
6 150	6.625 168.3	23 7.0	—	19 5.8	33 10.1	—	26 7.9
8 200	8.625 219.1	35 10.7	32 9.6	30 9.1	50 15.2	45 13.7	43 13.1

Friction Loss grooved Check Valve(Water at 65°F)

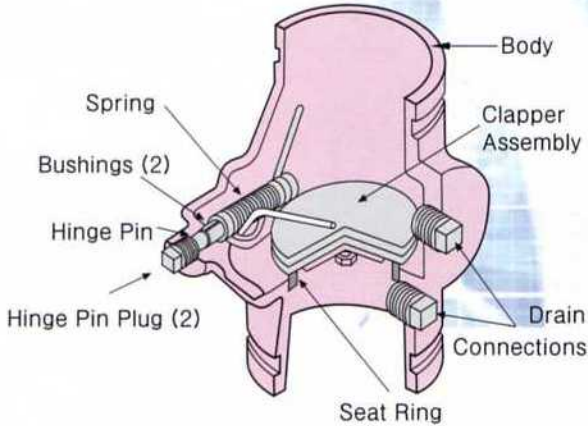


SPECIFICATIONS

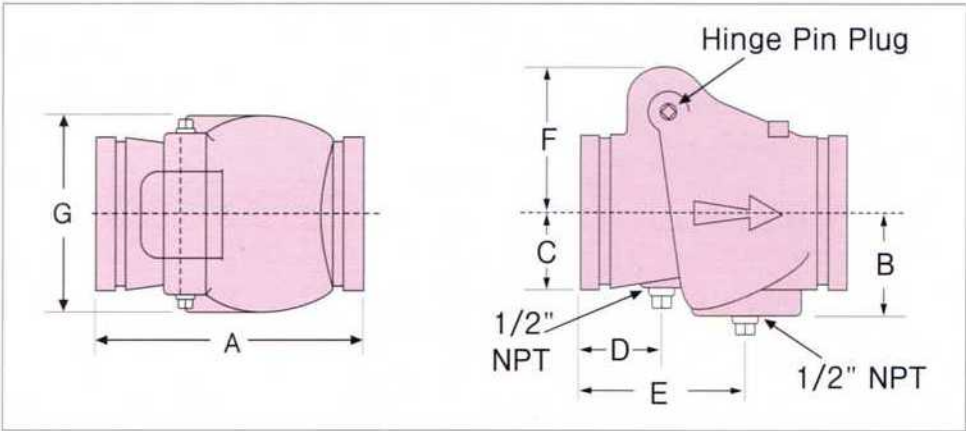
Working Pressure : 300 psi (21.4 Bars)
 Max. Test Pressure : 500 psi (34.5 Bars)
 Max. Working Temp. : 250°F (120°C)

MATERIALS OF SPECIFICATIONS:

Body : Ductile iron conforming to ASTM A 536,
 Epoxy coated.
 Color : red or black (optional)
 Clapper : 2"-5" Type 304 or 302 stainless steel to ASTM A 167
 6"-8" Ductile iron conforming to ASTM A 536,
 Grade 65-45-12
 Clapper Facing : Grade E EPDM
 -40° to 230°F (-40° to 110°C) Service
 Temperature Range
 Seat Ring : Type 304 stainless steel to ASTM A 123, ASTM A
 213, ASTM A 312 or ASTM A 269
 Spring : Type 302 stainless steel to ASTM A 313
 Hinge Pin : Type 304 or 302 stainless steel to ASTM A 580
 Hinge Pin Bushings : Sintered bronze to ASTM B 438
 Hinge Pin and Drain Plugs : Cast iron to ASTM A 126 Class A



Dimensions & Weights :



Check Valve									
Nominal Size	Pipe 00	Nominal Dimensions							Valve Weight
In./DN(mm)	In./mm	In./mm	In./mm	In./mm	In./mm	In./mm	In./mm	In./mm	Lbs./kg.
2 50	2.375 60.3	6 3/4 171	2 1/8 60	1 1/16 36	1 3/4 44	4 1/2 114	3 1/16 114	4 3/8 111	8.0 3.6
2 1/2 65	2.875 73.0	7 1/4 184	2 1/16 61	1 3/16 39	1 1/4 44	3 3/8 44	3 5/8 92	3 1/2 44	8.2 3.7
3 80	3.500 88.9	7 3/4 197	2 5/8 67	2 51	1 1/8 46	4 1/8 103	3 1/8 93	4 1/8 125	10.5 4.8
4 100	4.500 114.3	8 1/8 206	3 3/8 79	3 1/4 57	2 1/2 64	5 1/8 128	5 1/4 108	6 152	17.0 7.7
6 150	6.625 168.3	12 3/4 324	4 1/4 108	3 84	3 1/8 79	6 1/4 159	6 3/4 171	6 1/2 216	42.5 19.3
8 200	8.625 219.1	14 3/8 365	5 1/8 128	5 1/16 100	4 102	5 5/8 102	8 203	5 1/4 250	66.0 30.0