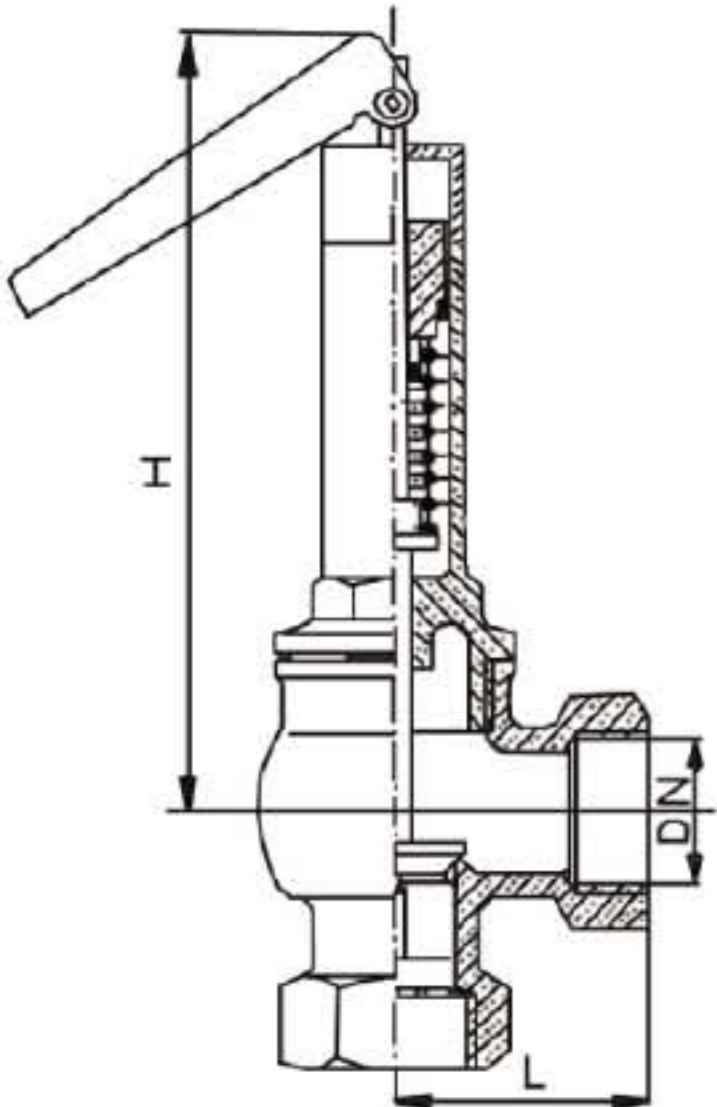


## LV1017 Spring Safety Valve

PN16, screwd BSP female  
 Brass body, disc, stem, valve, PTFE seat  
 Calibrated range 0-5 bar 5-12 bar

Dimensions					
DN	3/8	1/2	3/4	1	1 1/4
L	33	35	42	46	55
H	90	100	125	135	155

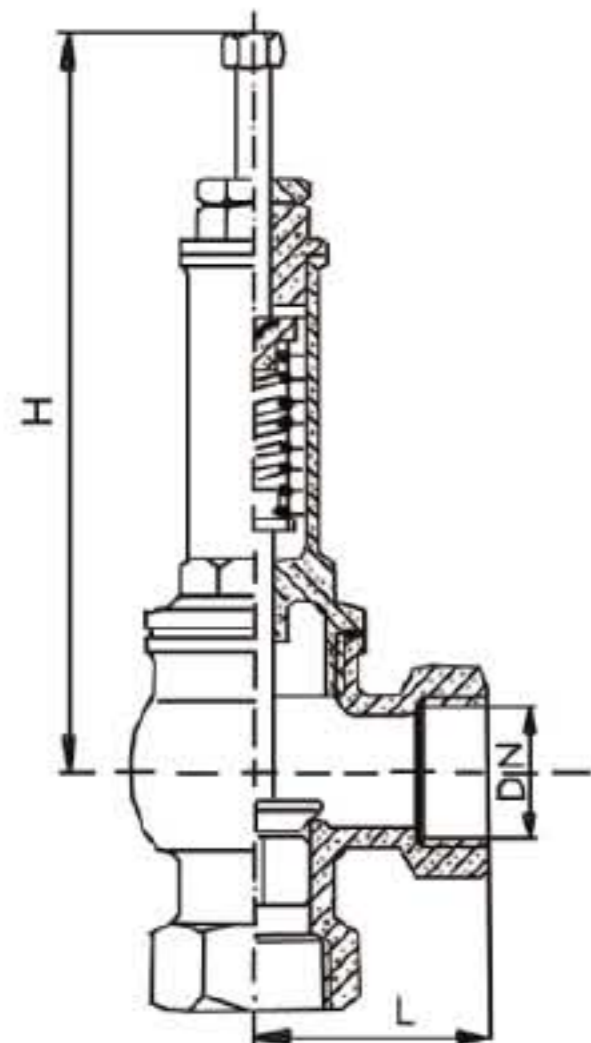
Dimensions					
DN	1 1/2	2	2 1/2	3	4
L	67	74	80	90	110
H	170	185	220	230	285



## LV1017L Spring Safety Valve With Test Lever

PN16, screwd BSP female  
 Brass body, disc, stem, valve, PTFE seat  
 Calibrated range 0-5 bar 5-12 bar

Dimensions						
DN	1/2	3/4	1	1 1/4	1 1/2	2
L	35	42	46	55	67	74
H	90	115	125	140	160	175



## LV1018 Brass/Bronze Safety Relief Valve

PN16, screwd BSP female  
 Metal seat, cap top  
 Spring ranges available 0 -2 bar, 1-5 bar 5-12 bar  
 Calibrated on request

Dimensions			
DN	L	H	Kg
3/8	33	95	0.400
1/2	35	105	0.420
3/4	42	135	0.670
1"	46	140	1.050
1" 1/4	55	160	1.500
1" 1/2	67	180	2.220
2"	74	190	3.400
2" 1/2	80	225	5.700
3"	90	235	7.000
4"	110	30	13.700