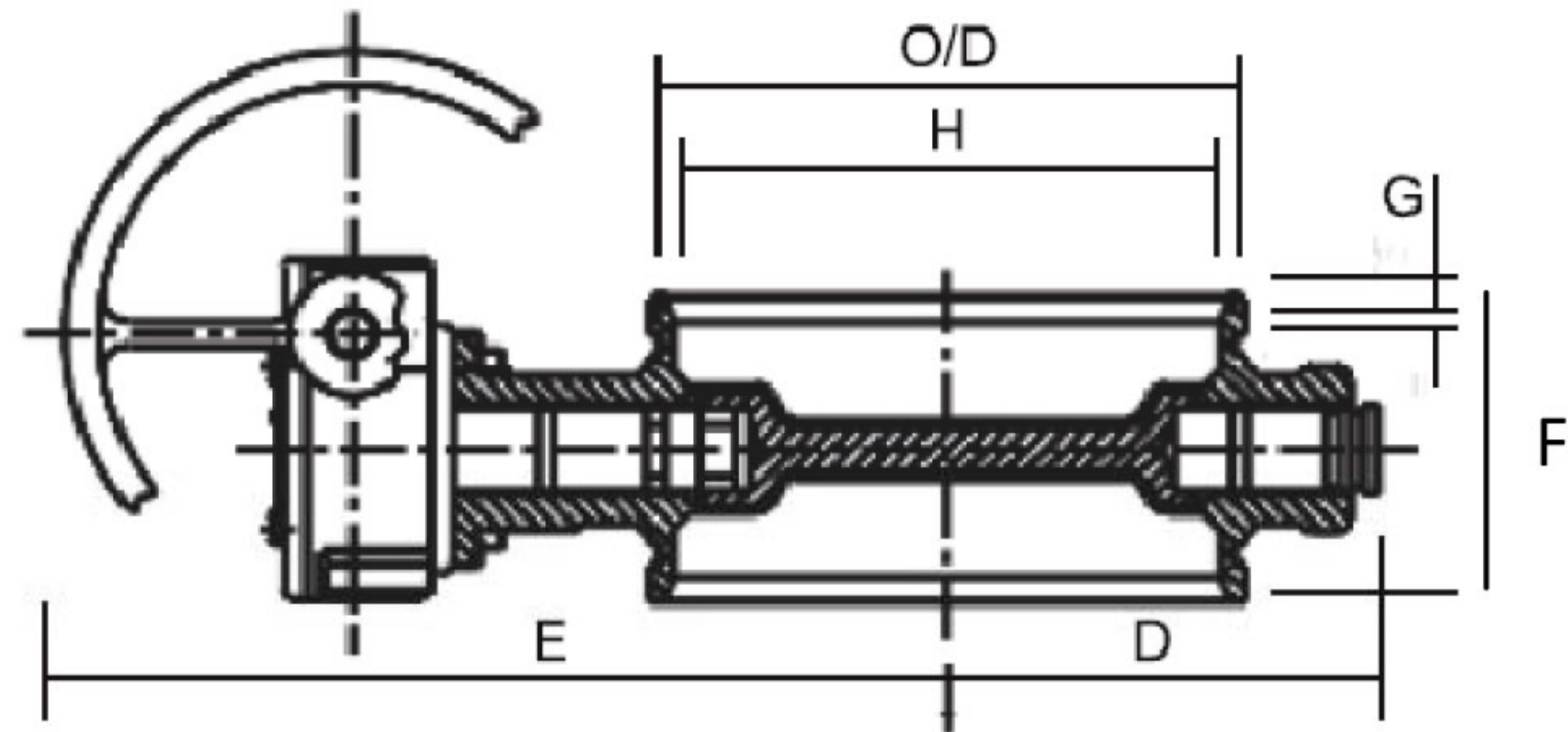


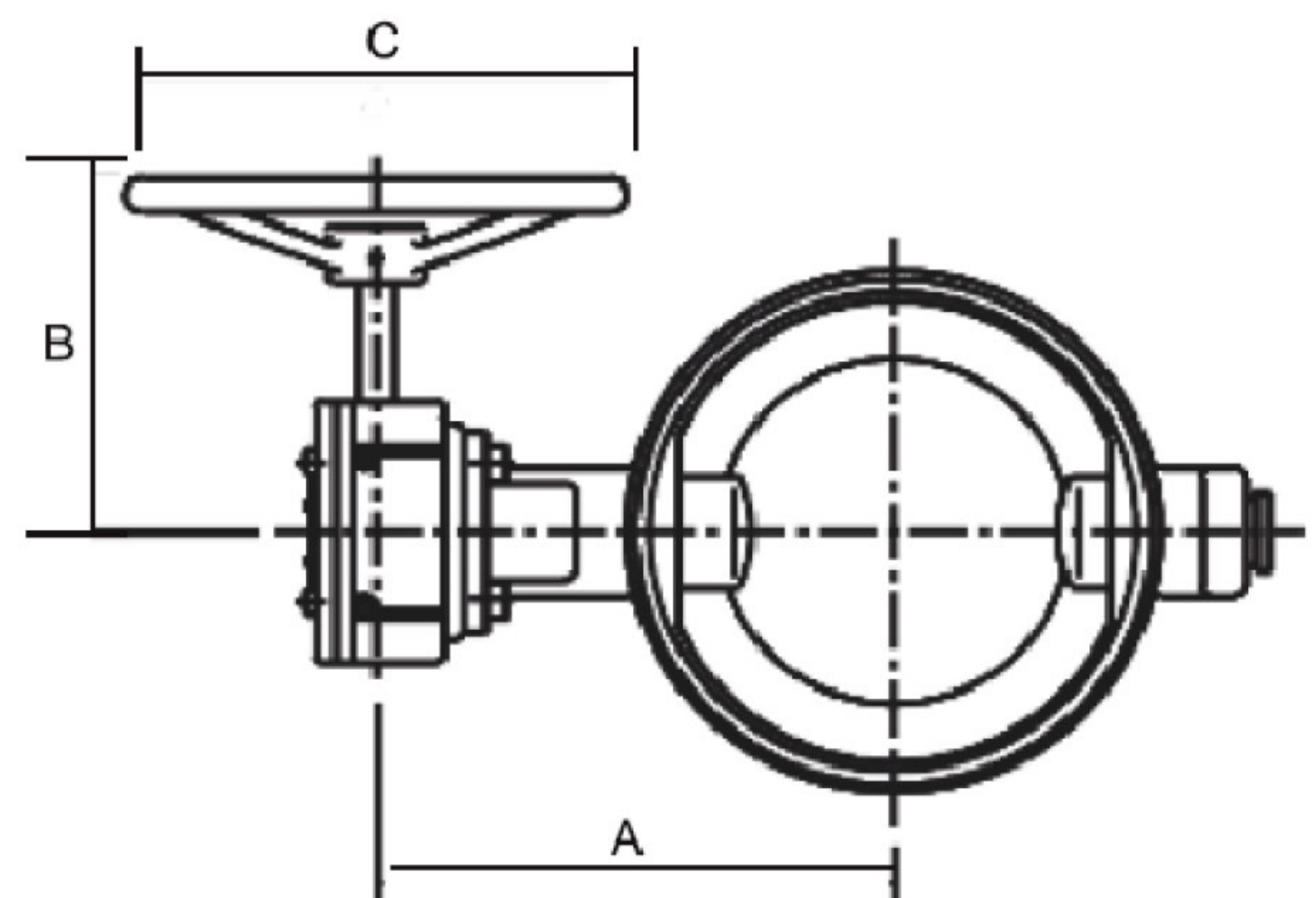
Firecrest™ WRAS Approved Grooved End Butterfly Valve Data Sheet

- Gearbox Operated, c/w handwheel
- Size range 50mm – 200mm
- Standard Grooved x Grooved pattern
- Switch included
- Visual Open/Shut Indicator
- Maximum Working Pressure 16 bar
- Maximum Working Temperature 85°C
- WRAS Approved
- Maximum Intermittent Temperature 120°C

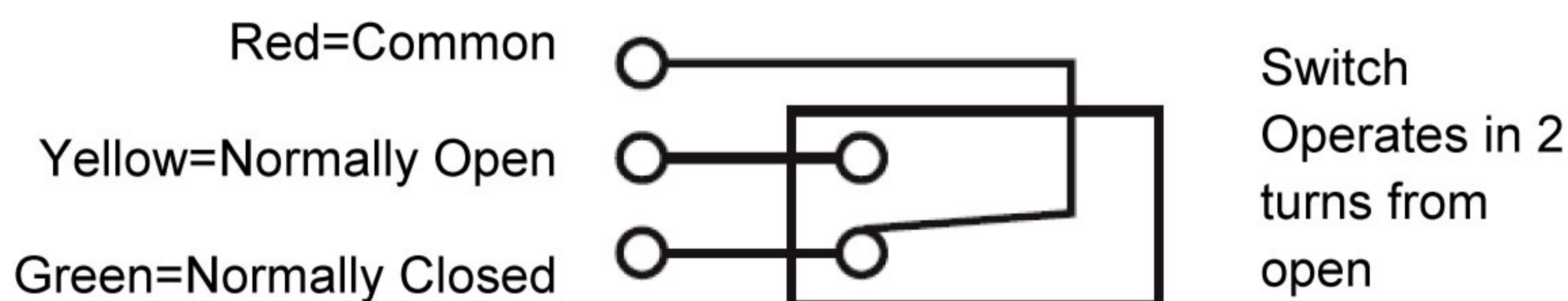


COMPONENTS

Name	Material
Body	Ductile Iron
Disc	EPDM Coated Ductile Iron
Shaft	416 Stainless Steel



WIRING DIAGRAM



DIMENSIONS (mm)

Size*	Part No	A	B	C	D	E	F	G	H	Pipe OD
50mm/2"	BUT057GR050GEAR	135	192.5	152	81	169	82	8.31	57.4	60.3
65mm/2½"	BUT057GR065GEAR	139.2	192.5	152	86	178	97	8.31	68.5	76.1
80mm/3"	BUT057GR080GEAR	145.4	192.5	152	99	183.5	97	8.31	84.5	88.9
100mm/4"	BUT057GR100GEAR	164.6	192.5	152	115	202.6	116	9.91	109.5	114.3
150mm/6"	BUT057GR150GEAR	190	192.5	152	144	228.5	148	9.91	163.4	165.1
200mm/8"	BUT057GR200GEAR	231	323.5	305	182	271	134	11.51	213.8	219.1

*Larger sizes available-please contact our sales office for details