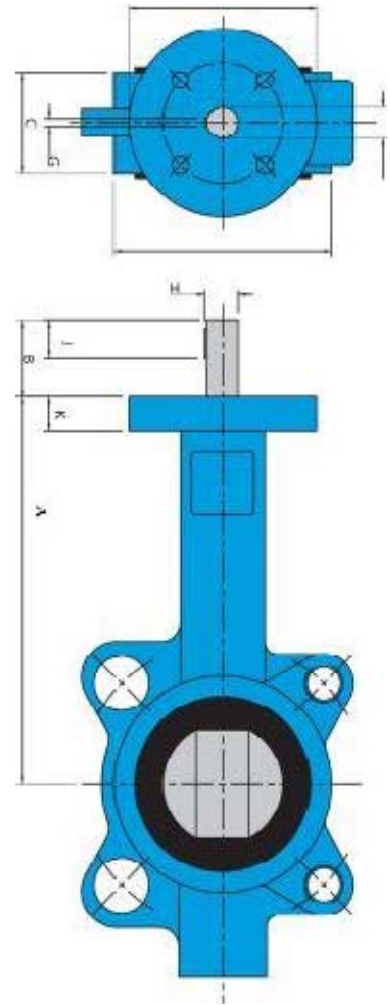


WRAS Approved Texan Wafer Pattern Butterfly Valve Data Sheet

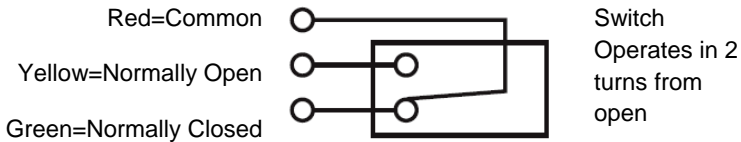
- Gearbox Operated, c/w handwheel
- Visual open/shut indicator
- WRAS Approved
- Maximum Continuous Temperature 85°C
- Maximum Intermittent Temperature 120°C
- Maximum Working Pressure 16 Bar
- Valves comply with the face to face dimensions of BS5155
- Individually Hydrostatically tested in accordance with BS6755 part 1



COMPONENTS

Name	Material
Body	Cast Iron to BS1452 GR.220
Disk	Stainless Steel
Seat	EPDM bonded to Phenolic backing ring
Shaft and Pins	Stainless Steel
Shaft Bearings	Lubricated Bronze
Shaft Seals	EPDM

WIRING DIAGRAM



DIMENSIONS (mm)

Size	Part Number	A	B	C	D	E	F	G	H	J	K
50mm	BUT057WAFER050S	161	32	42	100	77	12.6	3	13.8	11.5	13
65mm	BUT057WAFER065S	175	32	44.7	120	77	12.6	3	13.8	11.5	13
80mm	BUT057WAFER080S	181	32	45.2	127	77	12.6	3	13.8	11.5	13
100mm	BUT057WAFER100S	200	32	52.1	156	92	15.7	5	17.77	12.9	13
150mm	BUT057WAFER150S	226	32	55.8	212	92	18.9	5	20.92	15.9	13
200mm	BUT057WAFER200S	260	45	60.6	268	115	22.1	5	24.1	15.9	13
250mm	BUT057WAFER250S	292	45	65.3	325	115	28.4	8	31.45	22.2	13
300mm	BUT057WAFER300S	337	45	75.9	403	140	31.6	8	34.6	22.2	19



**Fire Protection &
Flow Control Products**

Atkinsons Way, Foxhills Industrial Estate, Scunthorpe,
North Lincolnshire, DN15 8QJ
Tel: 01724 854199 Fax: 01724 854213
E-mail: sales@fireprotectioncentre.com
Web: www.fpcdatacentre.co.uk