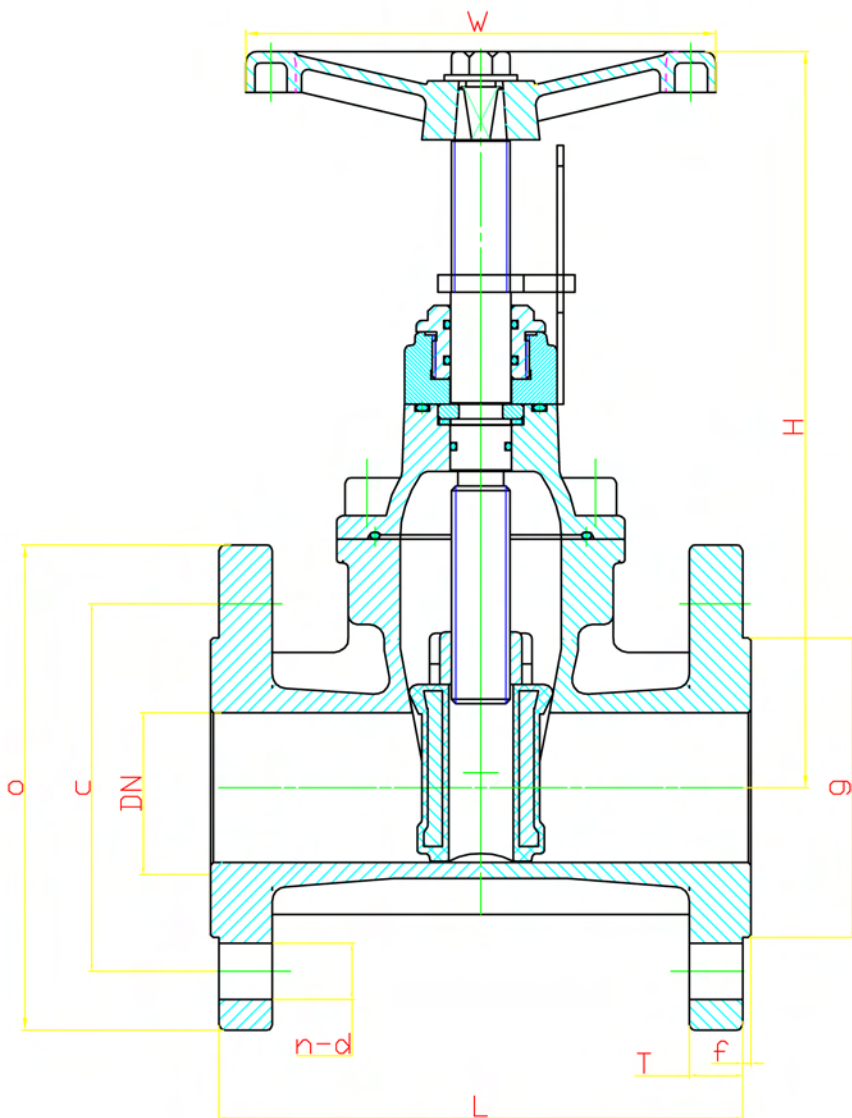


## BS5163 DUCTILE IRON / CAST IRON GATE VALVE PN10 / PN16



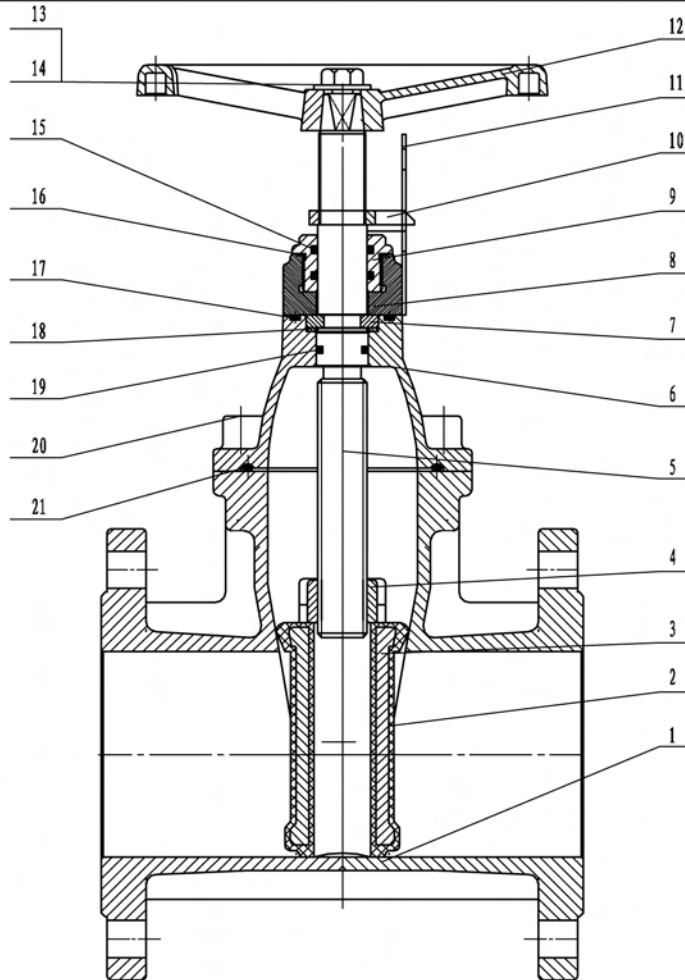
Dimension(mm):

FPC BS5163 WITH OPEN / SHUT INDICATOR

DN mm	L mm F4	H mm	W mm	O		C		g		f	T (Ductile iron)		n-d		T (cast iron)	
				1.0 MPa	1.6 MPa	1.0 MPa	1.6 MPa	1.0 MPa	1.6 MPa		1.0 MPa	1.6 MPa	1.0 MPa	1.6 MPa	1.0 MPa	1.6 MPa
				50	178	250	160	165	125		99	3	19	4-19	19	
65	190	277	200	185	145	118	3	19	4-19	19						
80	203	311	200	200	160	132	3	19	8-19	22						
100	229	366	200	220	180	156	3	19	8-19	23						
125	254	458	250	250	210	184	3	19	8-19	24						
150	267	559	250	285	240	211	3	19	8-23	24						
200	292	684	320	340	295	265	3	20	8-23	12-23	26					
250	330	761	370	400	350	355	319	3	22	12-23	12-28	28				
300	356	1011	370	455	400	410	370	4	24.5	12-23	12-28	28				
350	381	1061	450	520	460	470	429	4	24.5	26.5	16-23	16-28	30			
400	406		450	580	515	525	480	4	24.5	28	16-28	16-31	30			
450	432		640	615	640	565	585	530	548	4	25.5	30	20-28	20-31		
500	457		640	670	715	620	650	582	609	4	26.5	31.5	20-28	20-34		
600	508		640	780	840	725	770	682	720	5	30	36	20-31	20-37		



the  
**Fire Protection**  
centre  
Part of the Supply Centre Network



21	ZF-100-20	Gasket	1	EPDM NBR		
20	ZF-100-19	Hex Bolt	4	A3	Steel	
19	ZF-100-18	"O" -Ring	1	EPDM NBR		
18	ZF-100-17	PTFE gasket	1	F-4		
17	ZF-100-16	Gland seal ring	1	EPDM NBR		
16	ZF-100-15	"O" -Ring	1	EPDM NBR		
15	ZF-100-14	"O" -Ring	2	EPDM NBR		
14	GB/T5780-1986	Hex Bolt	1	SS304	Stainless steel	
13	ZF-100-13	Washer	1	SS304	Stainless steel	
12	ZF-100-12	Handwheel	1	QT450-10	Ductile iron	
11	ZF-80-11	Indicator plate	1	SS304	Stainless steel	
10	ZF-100-10	Indicator pointer	1	SS304	Stainless steel	
9	ZF-100-9	Gland nut	1	EPDM NBR		
8	ZF-100-8	Gland	1	QT450-10	Ductile iron	
7	ZF-100-7	Clamp ring	1	HMn58-2-2	Brass	
6	ZF-100-6	Bonnet	1	QT450-10	Ductile iron	
5	ZF-100-5	Stem	1	2Cr13	Stainless steel	
4	ZF-100-4	Stem nut	1	HMn58-2-2	Brass	
3	ZF-100-3	Wedge core	1	QT450-10	Ductile iron	
2	ZF-100-2	Wedge coat	1	EPDM NBR		
1	ZF-100-1	Body	1	QT450-10	Ductile iron	
		<b>Part name</b>	<b>Qty</b>	<b>Material</b>		

BS5163 Gate valve



**bafsa**



Atkinsons Way, Foxhills Industrial Estate, Scunthorpe, North Lincolnshire. DN15 8QJ  
Fire Protection Centre Ltd. Registered in England No. 03798539. VAT No. 694 920 985