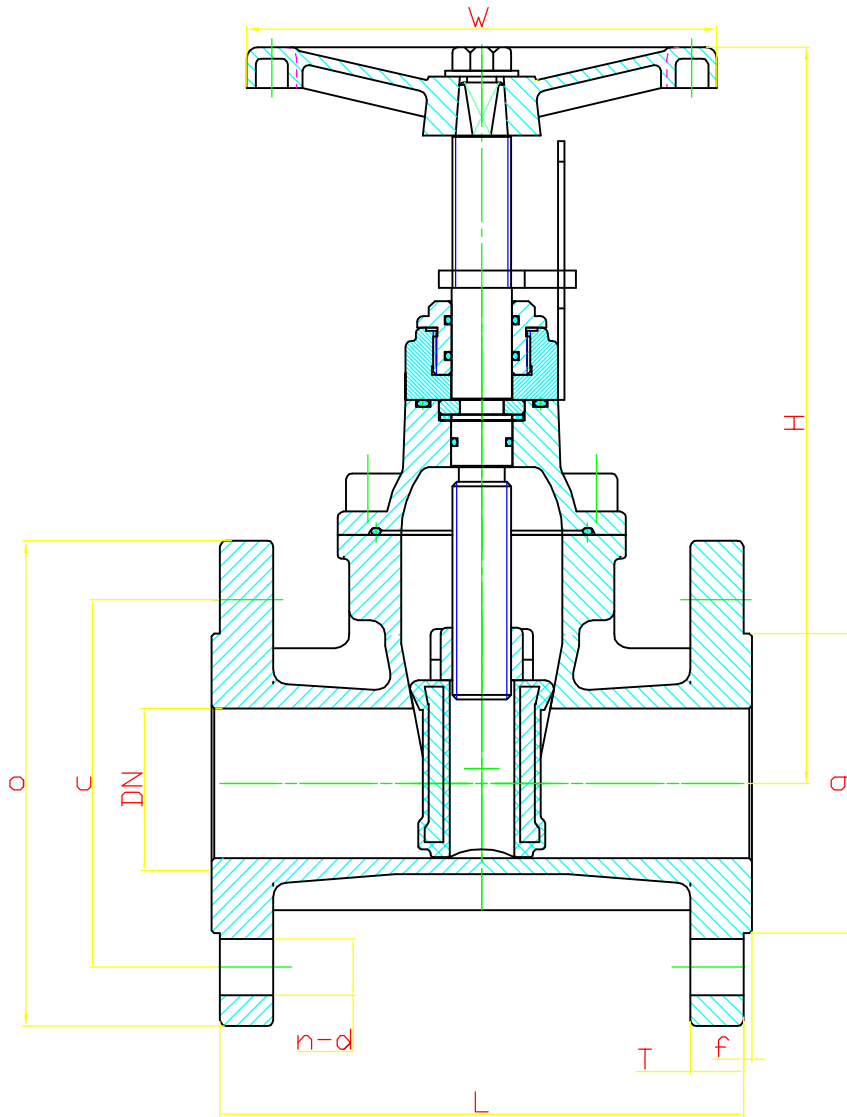


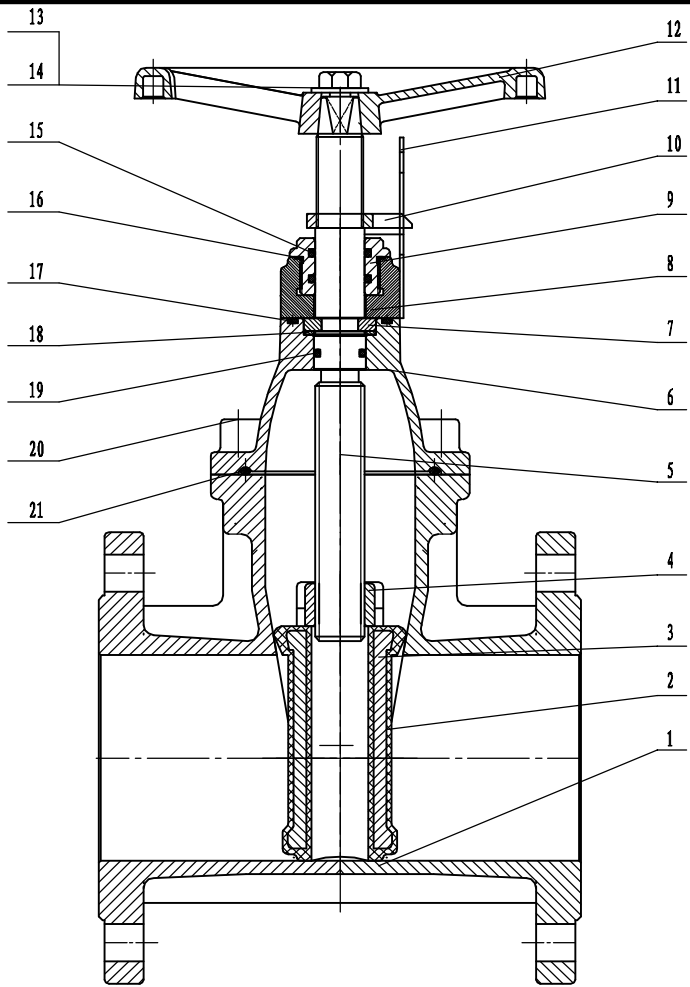
BS5163 DUCTILE IRON / CAST IRON GATE VALVE PN10 / PN16



Dimension(mm):

FPC BS5163 WITH OPEN / SHUT INDICATOR

DN mm	L mm F4	H mm	W mm	O		C		g		f	T (Ductile iron)		n-d		T (cast iron)	
				1.0 MPa	1.6 MPa	1.0 MPa	1.6 MPa	1.0 MPa	1.6 MPa		1.0 MPa	1.6 MPa	1.0 MPa	1.6 MPa	1.0 MPa	1.6 MPa
50	178	250	160	165		125		99		3	19		4-19		19	
65	190	277	200	185		145		118		3	19		4-19		19	
80	203	311	200	200		160		132		3	19		8-19		22	
100	229	366	200	220		180		156		3	19		8-19		23	
125	254	458	250	250		210		184		3	19		8-19		24	
150	267	559	250	285		240		211		3	19		8-23		24	
200	292	684	320	340		295		265		3	20		8-23	12-23	26	
250	330	761	370	400		350	355	319		3	22		12-23	12-28	28	
300	356	1011	370	455		400	410	370		4	24.5		12-23	12-28	28	
350	381	1061	450	520		460	470	429		4	24.5	26.5	16-23	16-28	30	
400	406		450	580		515	525	480		4	24.5	28	16-28	16-31	30	
450	432		640	615	640	565	585	530	548	4	25.5	30	20-28	20-31		
500	457		640	670	715	620	650	582	609	4	26.5	31.5	20-28	20-34		
600	508		640	780	840	725	770	682	720	5	30	36	20-31	20-37		



21	ZF-100-20	Gasket	1	EPDM NBR		
20	ZF-100-19	Hex Bolt	4	A3	Steel	
19	ZF-100-18	"O" -Ring	1	EPDM NBR		
18	ZF-100-17	PTFE gasket	1	F-4		
17	ZF-100-16	Gland seal ring	1	EPDM NBR		
16	ZF-100-15	"O" -Ring	1	EPDM NBR		
15	ZF-100-14	"O" -Ring	2	EPDM NBR		
14	GB/T5780-1986	Hex Bolt	1	SS304	Stainless steel	
13	ZF-100-13	Washer	1	SS304	Stainless steel	
12	ZF-100-12	Handwheel	1	QT450-10	Ductile iron	
11	ZF-100-11	Indicator plate	1	SS304	Stainless steel	
10	ZF-100-10	Indicator pointer	1	SS304	Stainless steel	
9	ZF-100-9	Gland nut	1	EPDM NBR		
8	ZF-100-8	Gland	1	QT450-10	Ductile iron	
7	ZF-100-7	Clamp ring	1	HMn58-2-2	Brass	
6	ZF-100-6	Bonnet	1	QT450-10	Ductile iron	
5	ZF-100-5	Stem	1	2Cr13	Stainless steel	
4	ZF-100-4	Stem nut	1	HMn58-2-2	Brass	
3	ZF-100-3	Wedge core	1	QT450-10	Ductile iron	
2	ZF-100-2	Wedge coat	1	EPDM NBR		
1	ZF-100-1	Body	1	QT450-10	Ductile iron	
		Part name	Qty	Material		

BS5163 Gate valve