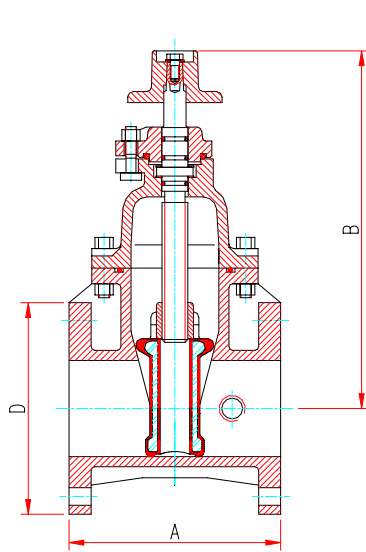
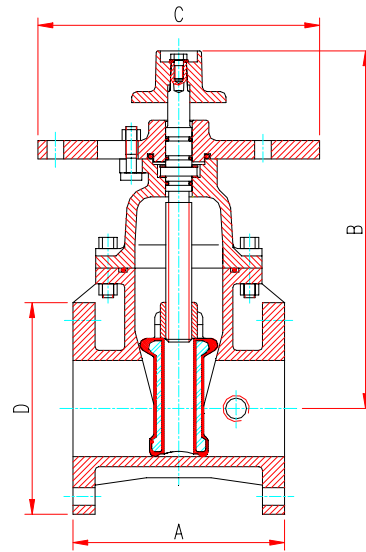


Fig. No.: REL-NRS-200-RW Resilient Seated-200PSI-NRS Type



2-1/2" & 3"



4" & Above



Materials List

Component	Material	Component	Material
Body	Cast Iron ASTM A126 Class B	Bonnet	Cast Iron ASTM A126 Class B
Wedge	Cast Iron ASTM A126 Class B, EPDM Coated	O-Ring	EPDM
Wedge Nut	Bronze ASTM B62 C83600	Thrust Washer	PTFE
Gasket	EPDM	Post Plate	Ductile Iron ASTM A536 Gr. 65-45-12
Stem	Brass ASTM B16 C36000	Operating Nut	Ductile Iron ASTM A536 Gr. 65-45-12
	Stainless Steel AISI 304	Bolts & Nuts	Stainless Steel

General Dimensions (mm/Inch)

Valve Size	65mm / 2-1/2"		80mm / 3"		100mm / 4"		150mm / 6"		200mm / 8"		250mm / 10"		300mm / 12"	
	mm	Inch	mm	Inch	mm	Inch	mm	Inch	mm	Inch	mm	Inch	mm	Inch
A	190.5	7-1/2	203.0	8	229.0	9	267.0	10-1/2	292.0	11-1/2	330.0	13	356.0	14
B	265.0	10-7/16	335.0	13-3/16	385.0	15-3/16	460.0	18-1/8	570.0	22-7/16	650.0	25-5/8	770.0	30-5/16
C	-	-	-	-	305.0	12	305.0	12	305.0	12	305.0	12	305.0	12
D	178.0	7	190.5	7-1/2	228.6	9	279.4	11	343.0	13-1/2	406.4	16	483.0	19

Notes:

1. Design and dimensions conform to FM/UL and AWWA C509.
2. Flange to be BS4504 PN16. Other flange drillings available.
3. Fusion bonded epoxy coated interior and exterior.
4. Valve is rated at 200PSI for Fire Protection Service.
5. Handwheel style is also available.
6. Specify brass or stainless steel stem when ordering.