

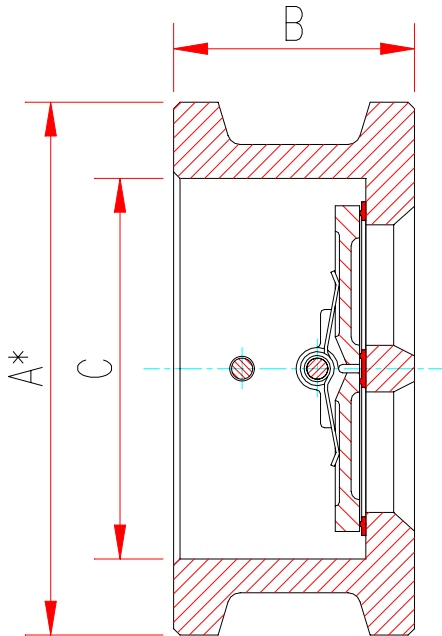
Reliable Double Door Wafer Check Valve To Fit PN16 Flanges.

Figure Number

REL-WAFERCHK-BS	Stainless Steel Disc, EPDM Seat
-----------------	---------------------------------

Working Pressure and Temperature

Nominal Pressure	PN16:	DN50 to DN600, 16bar
Working Temp.		EPDM: -10°C to 120°C



Materials list

Part Name	Material	EN Spec.	ASTM Spec.
Body	Cast Iron	EN-JL1040	A126 Class B
Disc	Stainless Steel	BS970 304S15	A351 CF8
Seat	EPDM/NBR	Commercial	Commercial
Hinge Pin	Stainless Steel	17440x20Cr13	AISI 420
Stop Pin	Stainless Steel	17440x20Cr13	AISI 420
Pin Retainer	Stainless Steel	BS970 304S15	AISI 304
Spring	Stainless Steel	BS970 304S15	AISI 304
Washer	PTFE	Commercial	Commercial
Gasket	EPDM/NBR	Commercial	Commercial

Dimensions (mm)

Size	A ¹	A ²	A ³	B	C
50	109	96	105	54	66
65	129	109	124	54	78
80	144	126	137	57	90
100	164	158	175	64	115
125	194	190	197	70	141
150	220	210	222	76	170
200	275	267	279	95	210
250	330	331	340	108	273
300	380	379	410	143	324
350	440	446	450	184	356
400	491	492.5	514	191	406
450	541	560	549	203	457
500	615	616	602	213	508
600	718	724	718	222	600

Notes

1. A¹ for flange EN1092-2 PN16 supplied as Standard.
2. A² for flange BS 10 Table D/E, A³ for flange ANSI B16.1 Class125 available on request.